

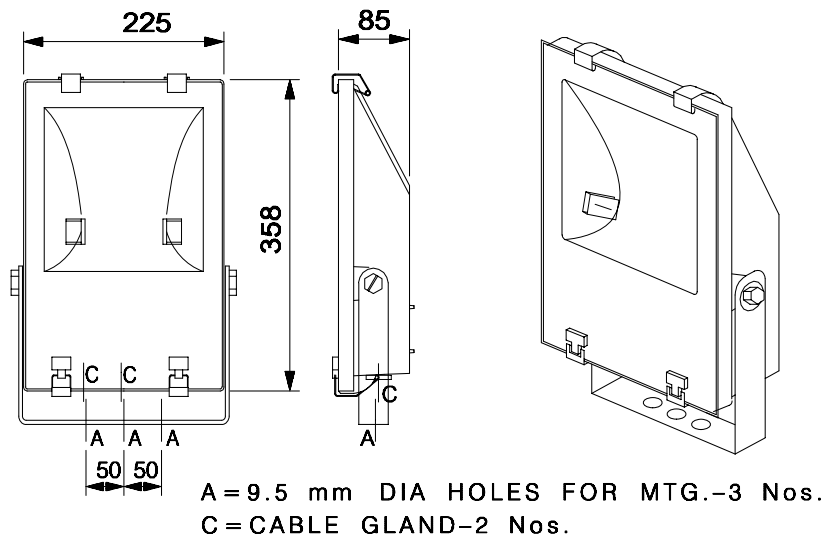


**AREA LIGHTING**

ASYMMETRICAL BEAM, INTEGRAL FLOODLIGHT

**BJFL 1150W MH DE**

Asymmetrical beam, integral floodlight luminaire for double ended HID lamp



Nominal Dimensions in mm Tolerance +/-5 (Except mtg. Hole)

**Application**

- Airport aprons
- Container berths
- Marshalling yards
- Building & monuments
- Sports lighting
- Hoardings and sign boards, etc.

**Specification**

- Black textured matt finish powder coated, die-cast aluminium housing with control gear accessories for 150 MH DE lamp
- Electrochemically brightened, anodized, aluminium reflector
- Heat resistant, clear toughened glass cover in the front with hinged and silicon rubber gasket
- Pair of Rx 7s-24 lamp holders prewired upto the terminal block
- Epoxy black powder coated MS mounting bracket with aiming facility
- Degree of protection : IP 65

**Electrical Data**

Cat. Ref.	Lamp Type & Wattage (W)	Nominal Voltage (V)	Mains Current in Amps. at 240 V	Capacitor Mfd.	Power Factor
BJFL 1150W MH DE	MH DE 150	220/240	0.80	20	≥ 0.85

Data subject to variation due to change/improvement in the design, materials and processes.

<p><b>BAJAJ LUMINAIRES</b> Making the difference</p>	DRAWN	VDS	05.09-2005	FOR - Std.
	CHECKED	KS		REV - 0 DATE-10-01-2008
	APPROVED	CRR		DRG. No
	DATA SHEET RELEASED ON DT-Sept.-2005			<b>FL 1150W MH DE-001</b>
BAJAJ ELECTRICALS LIMITED 15/17, SANT SAVTA MARG, REAY ROAD, MUMBAI-400 010.				* E-mail : luminares@bajajelectricals.com