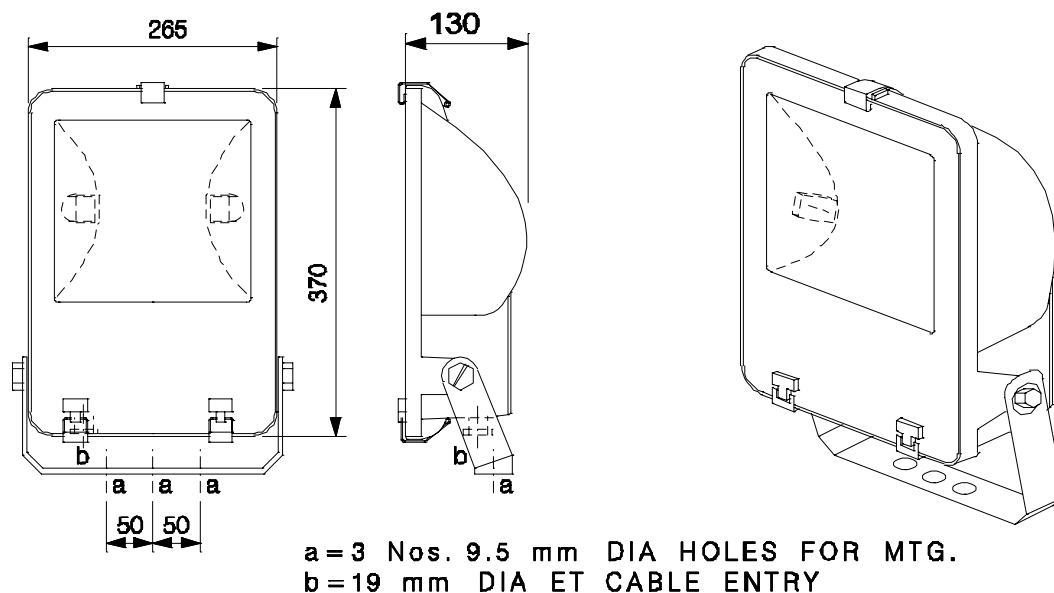




AREA LIGHTING

BJFL 150 MH DE/SE



NOMINAL DIMENSIONS IN mm Tolerance +/-5 (Except mtg. Hole)

Application

High Mast Lighting, Airport aprons, Container berths, Railway marshalling yards, Sports lighting, Hoardings and Sign boards and areas having Corrosive chemical vapours or Saline atmosphere.

Specification

- Heavy duty die-cast aluminium integral luminaire consisting of lamp housing, control gear and is fitted with toughened glass cover.
- Rubber gasket is provided to make the luminaire weatherproof.
- Lamp housing is fitted with a specially designed electro-chemically brightened, polished and anodised aluminium reflector.
- M.S. mounting bracket is provided to fix the luminaire as required.
- Lamp is fixed by opening the front glass cover which also facilitates easy access to the control gear accessories.
- Finish: Black paint.
- Degree of protection: IP 65

Electrical Data

Cat. Ref.	Lamp Type & Wattage (W)	Nominal Voltage (V)	Mains Current in Amps. at 240 V	Capacitor Mfd.	Power Factor
BJFL 150 MH DE/SE	MH DE/SE 150	220/240	0.80	20	0.85

Data subject to variation due to change/improvement in the design, materials and processes.

	DRAWN	VDS	13-06-2003	FOR –
	CHECKED	AAS	13-06-2003	REV-0 DATE-13-06-2003
	APPROVED	CRR	13-06-2003	DRG.No
	DATA SHEET RELEASED ON DT- SEPT.2003			FL 150 MH DE/SE - 001
BAJAJ ELECTRICALS LIMITED 15/17, SANT SAVTA MARG, REAY ROAD, MUMBAI-400 010.				* E-mail : luminaires@bajajelectricals.com