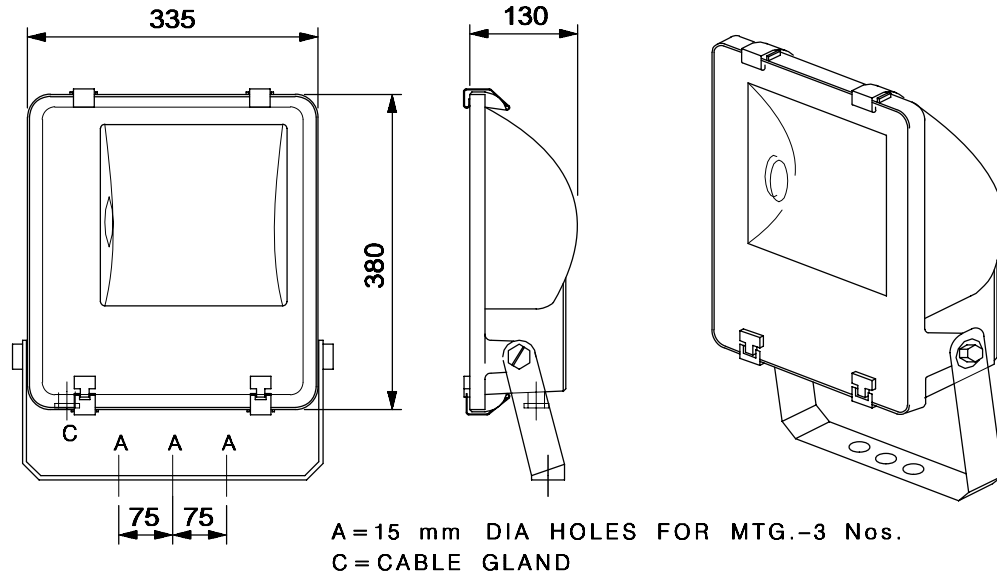




AREA LIGHTING
BJFL 150 SV/MH T S
BJFL 150 SV/MH T AS

Symmetrical / Asymmetrical beam, integral floodlight luminaire for tubular HID lamp



NOMINAL DIMENSIONS IN mm Tolerance +/-5 (Except mtg. Hole)

Application

- Airport aprons
- Container berths
- Sports lighting
- Buildings and monuments
- Hoardings and Sign boards, etc.

Specification

- Black textured matt finish powder coating, die-cast aluminium housing with control gear accessories for 150 SV/MH T lamp
- Electrochemically brightened, anodised aluminium reflector
- Heat resistant, clear toughened glass cover secured to the housing by self locking toggles and rubber gasket
- GES lamp holder, prewired upto the terminal block
- Black textured matt finish powder coated MS mounting bracket with aiming facility
- Degree of protection : IP 65

Electrical Data

Cat. Ref.	Lamp Type & Wattage (W)	Nominal Voltage (V)	Mains Current in Amps. at 240 V	Capacitor Mfd.	Power Factor
BJFL 150 SV/MH T S	HPSV/MH T 150	220/240	0.80	20	≥ 0.85
BJFL 150 SV/MH T AS	HPSV/MH T 150	220/240	0.80	20	≥ 0.85

Data subject to variation due to change/improvement in the design, materials and processes.

<p>BAJAJ LUMINAIRES Making the difference</p>	DRAWN	VDS	03.07-2003	FOR - Std.
	CHECKED	KS		REV - 0 DATE-10-01-2008
	APPROVED	CRR		DRG. No
	DATA SHEET RELEASED ON DT-Sept.-2003			FL 150 SV/MH T - 001