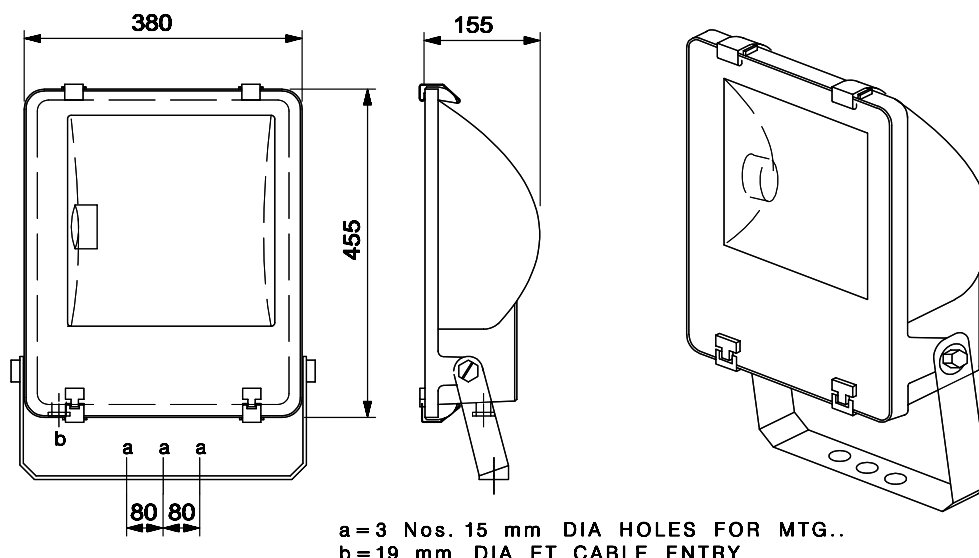




AREA LIGHTING

Symmetrical beam, integral floodlight luminaire

BJFL 250/400 MMH T S



NOMINAL DIMENSIONS IN mm Tolerance +/-5 (Except mtg. Hole)

Application

High Mast Lighting, Airport aprons, Container berths, Railway marshalling yards, Sports lighting, Hoardings and Sign boards and areas having Corrosive chemical vapours or Saline atmosphere.

Specification

- Heavy duty die-cast aluminium integral luminaire consisting of lamp housing, control gear and is fitted with toughened glass cover.
- Rubber gasket is provided to make the luminaire weatherproof.
- Lamp housing is fitted with a specially designed electro-chemically brightened, polished and anodised aluminium reflector.
- M.S. mounting bracket is provided to fix the luminaire as required.
- Lamp is fixed by opening the front glass cover which also facilitates easy access to the control gear (250/400 MMH T lamp) accessories.
- Finish: Black paint.
- Degree of protection: IP65

Note: The luminaire is suitable for Bajaj/Venture tubular lamp or equivalent lamp.
Only MV based lamp gear for 250/400 MH lamp is provided.

Electrical Data

Cat. Ref.	Lamp Type & Wattage (W)	Nominal Voltage (V)	Mains Current in Amps. at 240 V	Capacitor Mfd.	Power Factor
BJFL 250 MMH T S	MMH T 250	220/240	1.30	20	≥ 0.85
BJFL 400 MMH T S	MMH T 400	220/240	2.10	30	≥ 0.85

Data subject to variation due to change/improvement in the design, materials and processes.

<p>BAJAJ LUMINAIRES Making the difference</p>	DRAWN	VDS	13-08-2007	FOR -
	CHECKED	KS		REV - 0 DATE-13-08-2007
	APPROVED	CRR		DRG.No
	DATA SHEET RELEASED ON DT-			FL 400 MMH T S-001
BAJAJ ELECTRICALS LIMITED 15/17, SANT SAVTA MARG, REAY ROAD, MUMBAI-400 010.				* E-mail : luminaires@bajajelectricals.com