

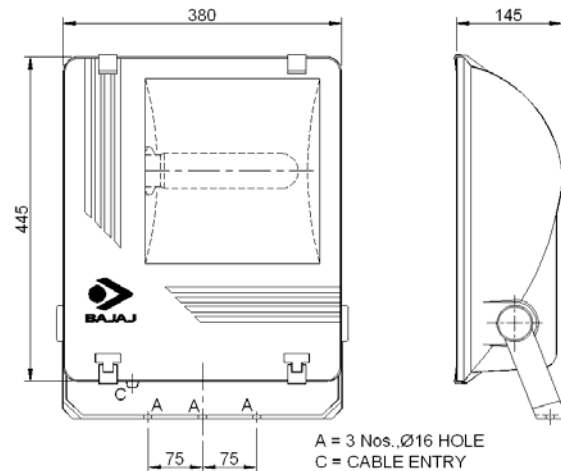


AREA LIGHTING

Integral floodlight luminaire

BAJAJ BJFL 250/400 SV/MH T S/AS

Symmetrical/Asymmetrical beam, integral floodlight luminaire for tubular HID lamp



NOMINAL DIMENSIONS IN mm Tolerance +/-5 (Except mtg. Hole)

Application

High Mast Lighting, Airport aprons, Container berths, Railway marshalling yards, Sports lighting, Hoardings and Sign boards and areas having Corrosive chemical vapours or Saline atmosphere.

Specification

- Epoxy black powder coated, die-cast aluminium housing with integral control gear for 250/400W HPSV/MH T lamp.
- Electrochemically brightened, anodized aluminium reflector.
- Heat resistant, clear toughened glass cover secured to the housing by self locking toggles and synthetic rubber gasket.
- GES lamp holder for 250/400W SV T lamp prewired upto the terminal block
- Epoxy black powder coated M.S. mounting bracket with aiming facility.
- Degree of protection : IP 65

Electrical Data

| Product Code | Cat. Ref. | Lamp Type & Wattage (W) | Nominal Voltage (V) | Mains Current in Amps. At 240 V | Capacitor Mfd. | Power Factor |
|--------------|------------------|-------------------------|---------------------|---------------------------------|----------------|--------------|
| 162610 | BJFL 250 SV T S | HPSV T 250 | 220/240 | 1.30 | 30 | ≥ 0.85 |
| 162612 | BJFL 400 SV T S | HPSV T 400 | 220/240 | 2.10 | 42 | ≥ 0.85 |
| 162611 | BJFL 250 MH T S | MH T 250 | 220/240 | 1.30 | 30 | ≥ 0.85 |
| 162621 | BJFL 400 MH T S | MH T 400 | 220/240 | 2.10 | 42 | ≥ 0.85 |
| 162623 | BJFL 250 SV T AS | HPSV T 250 | 220/240 | 1.30 | 30 | ≥ 0.85 |
| 162625 | BJFL 400 SV T AS | HPSV T 400 | 220/240 | 2.10 | 42 | ≥ 0.85 |
| 162624 | BJFL 250 MH T AS | MH T 250 | 220/240 | 1.30 | 30 | ≥ 0.85 |
| 162622 | BJFL 400 MH T AS | MH T 400 | 220/240 | 2.10 | 42 | ≥ 0.85 |

Data subject to variation due to change/improvement in the design, materials and processes.

| | | | | |
|---|-------------------------------------|--------|------------|--|
| <p>BAJAJ LUMINAIRES Making the difference</p> | DRAWN | KPM | 24-09-2008 | FOR – Std. |
| | CHECKED | KS/VDS | | REV - 0 DATE-24-09-2008 |
| | APPROVED | CRR | | DRG.No |
| | DATA SHEET RELEASED ON DT-03Nov.-08 | | | FL 250/400 SV/MH T S/AS- 001 |
| BAJAJ ELECTRICALS LIMITED 15/17, SANT SAVTA MARG, REAY ROAD, MUMBAI-400 010. | | | | * E-mail: luminaires@bajajelectricals.com |