

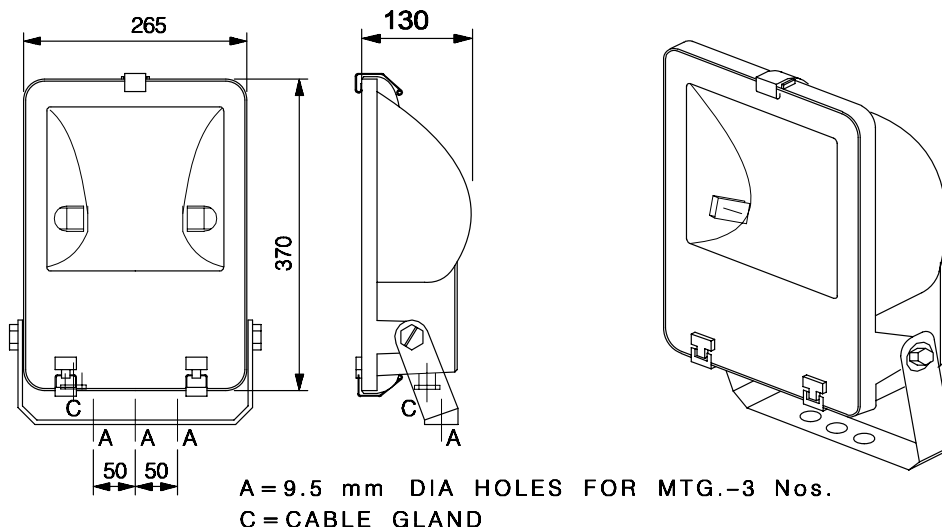


AREA LIGHTING

BJFL 70 MH DE/SE

BJFL 70 SV T

Asymmetrical beam, integral floodlight luminaire for tubular/double ended HID lamp



Nominal dimensions in mm Tolerance +/-5 (Except mtg. Hole)

Application

- Airport aprons
- Container berths
- Sports lighting
- Buildings and monuments
- Hoardings and Sign boards, etc.

Specification

- Black textured matt finish powder coating, die-cast aluminium housing with control gear accessories for 70 SV/MH DE/SE lamp
- Electrochemically brightened, anodised aluminium reflector
- Heat resistant, clear toughened glass cover secured to the housing by self locking toggles and rubber gasket
- ES for 70 SV-T / E-27 for 70 MH SE / Pair of Rx 7s for 70 MH DE lamp holders, prewired upto the terminal block
- Black textured matt finish powder coated MS mounting bracket with aiming facility
- Degree of protection : IP 65

Electrical Data

Cat. Ref.	Lamp Type & Wattage (W)	Nominal Voltage (V)	Mains Current in Amps. at 240 V	Capacitor Mfd.	Power Factor
BJFL 70 SV T	HPSV T 70	220/240	0.40	10	≥ 0.85
BJFL 70 MH DE/SE	MH DE/SE 70	220/240	0.40	10	≥ 0.85

Data subject to variation due to change/improvement in the design, materials and processes.

<p>BAJAJ LUMINAIRES Making the difference</p>	DRAWN	VDS	13.06-2003	FOR - Std.
	CHECKED	KS		REV - 0 DATE-10-01-2008
	APPROVED	CRR		DRG. No
	DATA SHEET RELEASED ON DT-Sept.-2003			FL70SVT/MHDE-001
BAJAJ ELECTRICALS LIMITED 15/17, SANT SAVTA MARG, REAY ROAD, MUMBAI-400 010.				* E-mail : luminaires@bajajelectricals.com