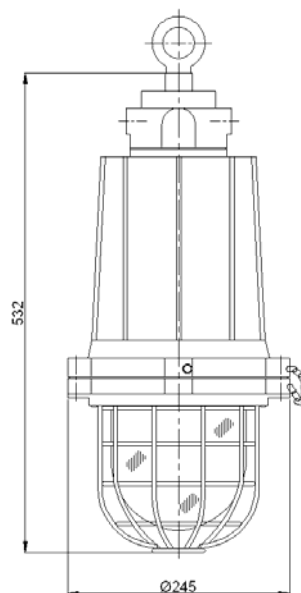




**HAZARDOUS AREA LIGHTING
FLAMEPROOF WELLGLASS INTEGRAL
BJFW 250 MV I**



Dimensions in mm Tolerance +/-5

Specification

DESCRIPTION: Flame proof weatherproof integral wellglass suitable for 250W HPMV,150 SV/MH 200/300 GLS & 250W MLL at 250 V AC (max.)

MATERIAL: Cast Aluminium LM 6.

GLASS: Heat resistant and toughened wellglass.

CABLE ENTRY: 2 way 3/4" B.S.Conduit.

HOLDER: GES Holder is provided as standard.

SUSPENSION: Eye bolt.

HINGING: M.S. Chain is provided.

GASKET: Neoprene.

IP RATING: IP 65

FINISH: Light grey (631 Shade IS5) paint. / Epoxy optional at extra cost.

STANDARD: IS 2148 & IS 2004

GROUPS: II A & II B as per IS 2148 / **ZONE** - 2

CMRI. CERT. No.: C.M.R.I./T.C./P/H378 dt. 18 AUG. 2006.

TEMP. CLASS : 250 MV, 150 MH/SV, 250 MLL, 200 GLS ` T4', 300 GLS ` T3'

Note: Control gear accessories are provided in the wellglass.

Data subject to variation due to change/improvement in the design, materials and processes.

<p>BAJAJ LUMINAIRES Making the difference</p>	DRAWN	KPM	18-09-2007	FOR – Std.
	CHECKED	VDS		REV - 0 DATE-18-09-2007
	APPROVED	CRR		DRG.No
	DATA SHEET RELEASED ON DT-			BJFW 250 MV I - 001
BAJAJ ELECTRICALS LIMITED 15/17, SANT SAVTA MARG, REAY ROAD, MUMBAI-400 010.				* E-mail : luminaires@bajajelectricals.com