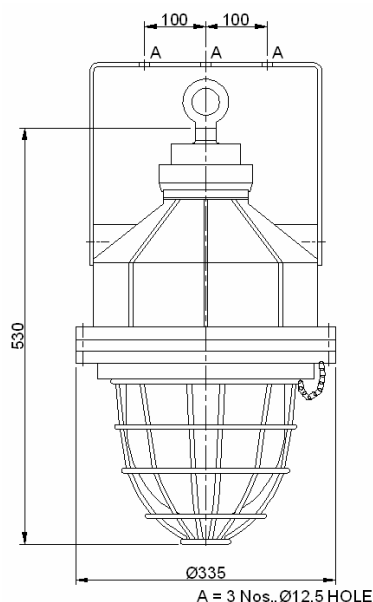




HAZARDOUS AREA LIGHTING

FLAMEPROOF WELLGLASS NON-INTEGRAL

BJFW 400 MV NI / BJFW 250/400 SV/MH NI



Dimensions in mm Tolerance +/-2

Specification

DESCRIPTION: Flame proof weatherproof non-integral wellglass suitable for 400W HPMV, 250/400 HPSV/MH lamp at 250 V AC (max.)

MATERIAL: Cast Aluminium LM 6.

GLASS: Heat resistant and toughened wellglass.

CABLE ENTRY: 2 way 3/4" B.S.Conduit.

HOLDER: GES Holder is provided as standard.

SUSPENSION: Eye bolt/Bracket

HINGING: M.S. Chain is provided.

GASKET: Neoprene.

IP RATING: IP 65

FINISH: Light grey (631 Shade IS5) paint. / Epoxy optional at extra cost.

STANDARD: IS 2148-2004

GROUPS: II A & II B as per IS 2148 / **ZONE** - 2

CMRI. CERT. No.: C.M.R.I./T.C./P/H382 dt. 18 AUG. 2006.

TEMP. CLASS: 400W MV `T3', 400W SV/MH`T4', 250W SV/MH`T5'

Note: Separate Control gear in an approved enclosure is required for 400 MV/SV/MH & 250 SV/MH lamp.

Data subject to variation due to change/improvement in the design, materials and processes.

| | | | | |
|---|----------------------------|-----|------------|---|
| <p>BAJAJ LUMINAIRES Making the difference</p> | DRAWN | KPM | 18-09-2007 | FOR – Std. |
| | CHECKED | VDS | | REV - 0 DATE-18-09-2007 |
| | APPROVED | CRR | | DRG.No |
| | DATA SHEET RELEASED ON DT- | | | BJFW 400 MV NI- 001 |
| BAJAJ ELECTRICALS LIMITED 15/17, SANT SAVTA MARG, REAY ROAD, MUMBAI-400 010. | | | | * E-mail : luminaires@bajajelectricals.com |