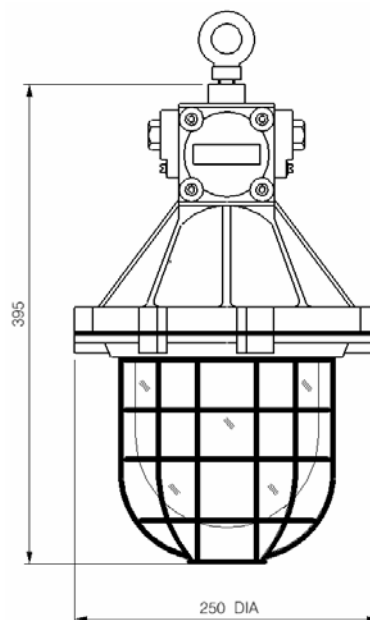




HAZARDOUS AREA LIGHTING FLAMEPROOF WELLGLASS NON-INTEGRAL

BAJAJ BJFW 80/125 MV NI / BJFW 70 SV/MH NI / BJFW 150 MH NI



Nominal dimensions in mm Tolerance +/-5

Specification

DESCRIPTION: Flame proof weatherproof non-integral wellglass suitable for 80/125W HPMV /70W HPSV/MH / 150W MH / 1/2x23W CFL / 3x26W CFL / 200W GLS / 160W MLL Lamp. at 250V A MAX.

MATERIAL: Cast Aluminium LM 6 / Cast iron.

GLASS: Heat resistant and toughened wellglass.

CABLE ENTRY: 2 way 3/4" B. S. Conduit.

HOLDER: : E 27 - ES / BC Holder is provided as standard.

SUSPENSION: Eye bolt.

HINGING: M.S. Chain is provided.

GASKET: Neoprene.

IP RATING: IP 65

FINISH: Light grey (631 shade IS 5) / Epoxy optional at extra cost.

STANDARD: IS 2148 & IS 2206 (part I)

GROUPS: I, II A & II B as per IS 2148 / **ZONE** - 2

CMRI. CERT. No. : C.M.R.I./T.C./H403 dated.. 21 oct. 1997 &

CIMFR/TC/SR/H1136 dated. 19-03-2008./ CIMFR/TC/S/694 dated.19-11-2008

TEMP. CLASS : 70W SV/MH 'T5', 80W MV ' Z ' T5, 125W MV ' Y 'T4,

150W MH / 200 GLS / 160W MLL T3, 1x23 / 3x26W CFL 'T6'

Data subject to variation due to change/improvement in the design, materials and processes.

<p>BAJAJ LUMINAIRE Making the difference</p>	DRAWN	VDS	09-06-1997	FOR – Std.
	CHECKED	CRR		REV-1 DATE-03-01-2009
	APPROVED	CRR		DRG.No
	DATA SHEET RELEASED ON DT-			FW 80/125 MV NI - 001
BAJAJ ELECTRICALS LIMITED 15/17, SANT SAVTA MARG, REAY ROAD, MUMBAI-400 010.				* E-mail : luminaires@bajajelectricals.com