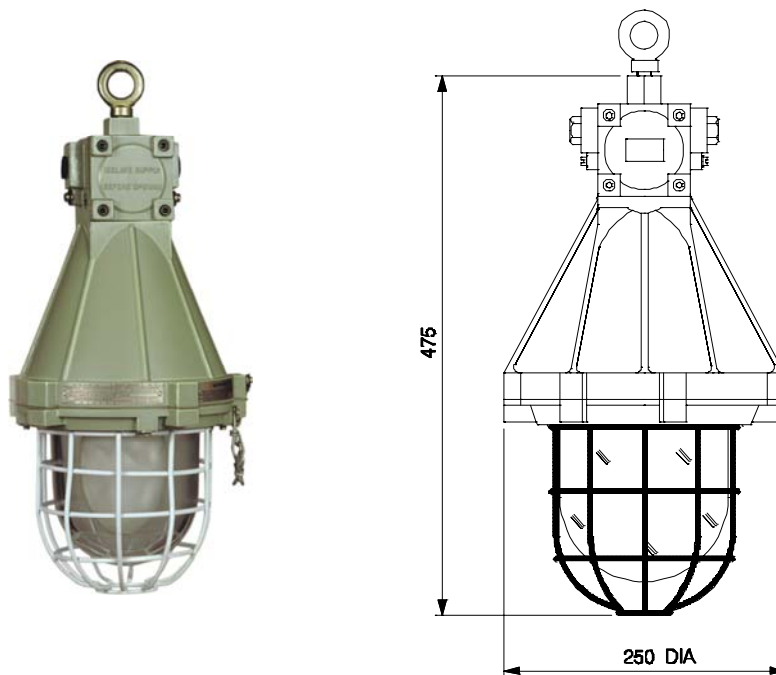




**HAZARDOUS AREA LIGHTING
FLAMEPROOF WELLGLASS INTEGRAL**

BJFW 80/125 MV I



Nominal dimensions in mm Tolerance +/-5

Specification

DESCRIPTION : Flame proof weatherproof integral wellglass suitable for 80/125W HPMV/70 HPSV/MH / 150 MH / 3x26 CFL Lamp at 250 V AC MAX.

MATERIAL : Cast Aluminium LM 6.

GLASS : Heat resistant and toughened wellglass.

CABLE ENTRY : 2 way 3/4" B.S.Conduit.

HOLDER : E 27 – ES/BC Holder is provided as standard.

SUSPENSION : Eye bolt.

HINGING : M.S. Chain is provided.

GASKET : Neoprene.

IP RATING : IP 55

FINISH : Light grey (631 Shade IS5) paint. / Epoxy optional at extra cost.

STANDARD : IS 2148 & IS 2206 (part I)

GROUPS : I, II A & II B as per IS 2148 / **ZONE - 2**

CMRI. CERT. No. : C.M.R.I./T.C./H429 dt. 23 oct. 97 & C.M.R.I./T.C./P/H287

CIMFR/TC/SR/H840 dated. 24-01-2008./ CIMFR/TC/S/693 dated.19-11-2008

TEMP. CLASS : 80W MV ' X ', 125W ' Y '

TEMP. RANGE : 80/125W MV / 70W SV/MH ' T4 ' , 150W MH ' T3 ' & 3x26 CFL ' T6 '

Note : Control gear accessories are provided in the wellglass.

Data subject to variation due to change/improvement in the design, materials and processes.

<p>BAJAJ LUMINAIRES Making the difference</p>	DRAWN	VDS	27-01-2007	FOR – Std.
	CHECKED	CRR		REV - 0 DATE-27-01-2007
	APPROVED	CRR		DRG.No
	DATA SHEET RELEASED ON DT-			FW 80/125 MV I - 001
BAJAJ ELECTRICALS LIMITED 15/17, SANT SAVTA MARG, REAY ROAD, MUMBAI-400 010.				* E-mail : luminaires@bajaelectricals.com