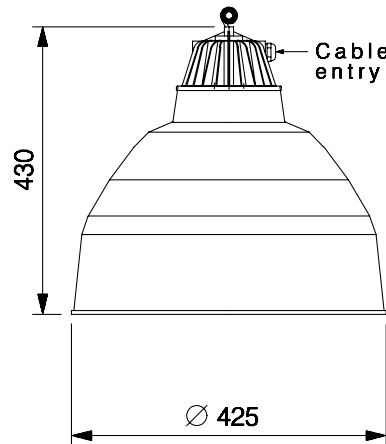




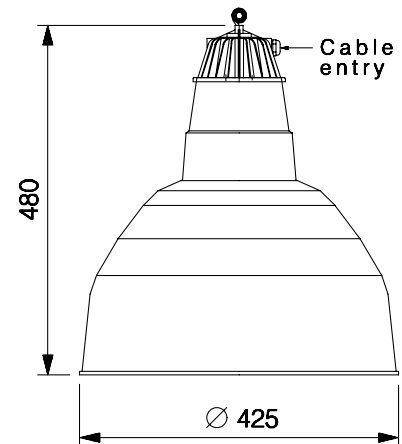
INDUSTRIAL LIGHTING

BJHB NI 250/400 MV/150 SV/250/400 SV/MH
 BJMB NI 250/400 MV/150 SV/250/400 SV/MH

Non-integral Highbay / mediumbay luminaire



BJMB NI



BJHB NI

Dimensions in mm Tolerance +/-5

Application

- Airport hangers and warehouses
- Heavy engineering industries
- Thermal power stations
- Railway concourse halls
- Steel plants
- Shopping malls, Departmental stores, Food plaza etc.

Features

- Engineering plastic junction box .
- Scientifically designed spun aluminium, Electro-chemically brightened **anodised** reflector for better distribution.
- Eye bolt & antivibration rubber pad are provided for suspension mounting.
- Ease of maintenance.

Electrical Data

Cat. Ref.	Lamp Type & Wattage (W)	Nominal Voltage (V)	Mains Current in Amps. at 240 V	Capacitor Mfd.	Power Factor
BJH/MB NI 250 MV	HPMV 250	200/220/240	1.30	15	≥ 0.85
BJH/MB NI 400 MV	HPMV 400	200/220/240	2.10	20	≥ 0.85
BJH/MB NI 150 SV	HPSV 150	220/240	0.80	20	≥ 0.85
BJH/MB NI 250 SV/MH	HPSV/MH 250	220/240	1.30	30	≥ 0.85
BJH/MB NI 400 SV/MH	HPSV/MH 400	220/240	2.10	42	≥ 0.85

Data subject to variation due to change/improvement in the design, materials and processes.

<p>BAJAJ LUMINAIRES Making the difference</p>	DRAWN	VDS	26-09-2009	FOR -
	CHECKED	KS		REV - 0 DATE-26-09-2009
	APPROVED	CRR		DRG. No
	DATA SHEET RELEASED ON DT-			H/MB NI MV/SV/MH-001