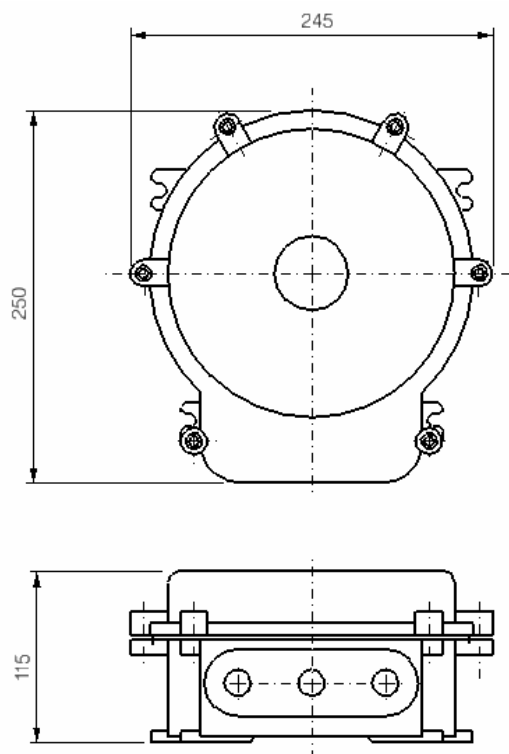




**HAZARDOUS AREA LIGHTING**  
**INCREASED SAFETY CONTROL GEAR BOX**  
**BJISCG 250 MV**



Nominal dimensions in mm - Tolerance +/-5

**Specification**

**DESCRIPTION:** Increased safety/Weatherproof control gear box suitable for 250W HPMV / 150W HPSV lamp.

**MATERIAL:** Cast Aluminium LM 6 / Cast Iron

**CABLE ENTRY:** 3 Cable entries 3/4 " B.S.Conduit

**GASKET:** Neoprene

**IP RATING:** IP 65

**FINISH:** Light grey (631 Shade IS5) paint./ Epoxy optional at extra cost.

**STANDARD:** IS: 13947 (Part-I) - 1993.

**GROUPS:** As per IS 5572-(Part-I)-1978

**CMRI CERT. No. :** C.M.R.I./T.C./P/H 1361 dated. - 12 Nov. 1999

Data subject to variation due to change/improvement in the design, materials and processes.

<p><b>BAJAJ LUMINAIRES</b> Making the difference</p>	DRAWN	VDS	22-02-2000	FOR – Std.
	CHECKED	vds		REV-0 DATE-22-02-2000
	APPROVED	CRR		DRG.No
	DATA SHEET RELEASED ON DT-			<b>ISCG 250 MV - 001</b>
<b>BAJAJ ELECTRICALS LIMITED</b> 15/17, SANT SAVTA MARG, REAY ROAD, MUMBAI-400 010.				* E-mail : <a href="mailto:luminaires@bajajelectricals.com">luminaires@bajajelectricals.com</a>