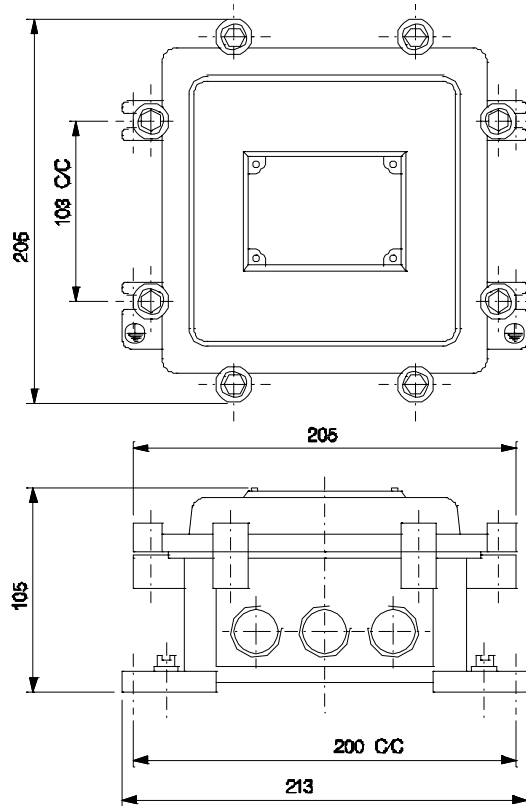




**HAZARDOUS AREA LIGHTING  
INCREASED SAFETY CONTROL GEAR BOX  
BJISCG 80/125 MV**



Nominal dimensions in mm - Tolerance +/-5

**Specification**

**DESCRIPTION :** Increased safety/Weatherproof control gear box

suitable for 80/125 W MV & 70W SV/MH

**MATERIAL :** Cast Aluminium LM 6 /Cast iron

**CABLE ENTRY :** 3 Cable entries 3/4 " B.S.Conduit

**GASKET :** Neoprene

**IP RATING :** IP 65

**FINISH :** Light grey (631 Shade IS5) paint./ Epoxy optional at extra cost.

**STANDARD :** IS : 13947 (Part-I) - 1993.

**GROUPS :** I, II A & II B as per IS 2148

**CMRI CERT. No. :** C.M.R.I./T.C./P/SL/H 1454 dated.- 26 Nov. 1998

C.M.R.I./T.C./S/H 1310 dated.- 19 Oct. 1990

Data subject to variation due to change/improvement in the design, materials and processes.

<p><b>BAJAJ LUMINAIRES</b> Making the difference</p>	DRAWN	KPM	16-11-2004	FOR – Std.
	CHECKED	VDS		REV - 0 DATE-16-11-2008
	APPROVED	CRR		DRG.No
	DATA SHEET RELEASED ON DT-			<b>ISCG 80/125 MV - 001</b>
<b>BAJAJ ELECTRICALS LIMITED</b> 15/17, SANT SAVTA MARG, REAY ROAD, MUMBAI-400 010.				* E-mail : <a href="mailto:luminaires@bajajelectricals.com">luminaires@bajajelectricals.com</a>