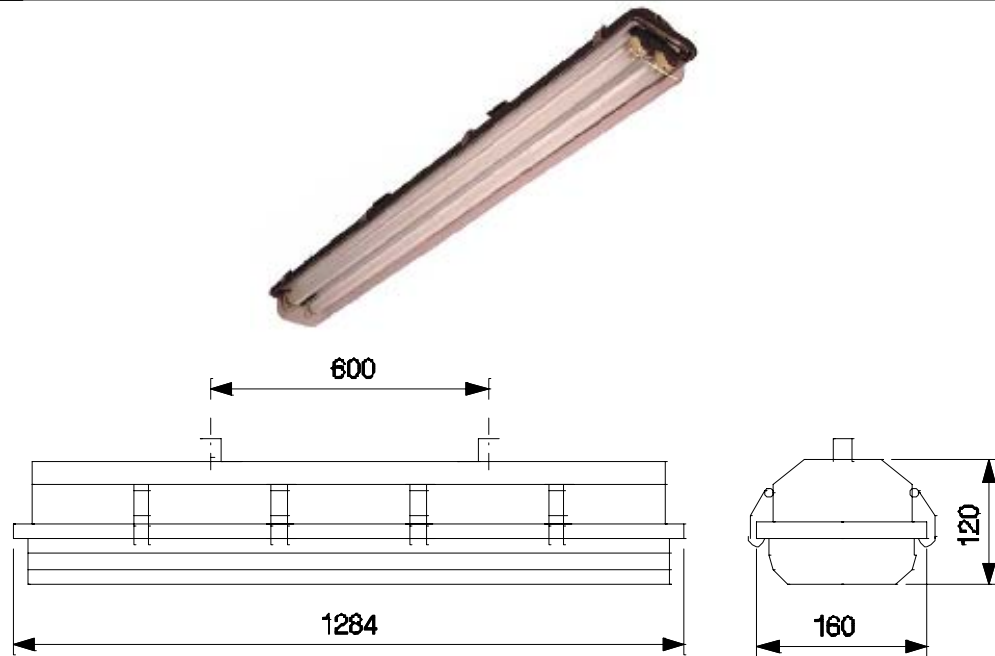




INDUSTRIAL LIGHTING

BJI 236/240 FG

BJI 236/240 FG WEB2



NOMINAL DIMENSIONS IN mm Tolerance +/-5

Application

Dairies, Chemical Industries, Food Processing Plants, Laboratories, Paint Factories, Swimming Pools, Paper Mills, Textile Mills, Car Washing Bays, Catering Kitchens, Grain Silos.

Specification

- Luminaire comprises control gear housing made of Fiber glass reinforced polyester.
- CRCA Gear tray cum reflector is finished in stove enamel white on the reflecting surface.
- Completely prewired with accessories, open construction ballast / HF electronic ballast upto terminal block.
- External surface of the housing is finished in grey and the inner flange is lined with gasket.
- Bottom clear acrylic cover is fixed to the housing by stainless steel toggle clamps.

Electrical Data

Cat. Ref.	Lamp Type & Wattage (W)	Nominal Voltage (V)	Mains Current in Amps. at 240 V	Capacitor Mfd	Power Factor
BJI 236/240 FG	FTL 2x36/40	240	0.42/0.45	8.00	≥ 0.90
BJI 236/240 FG WEB2	FTL 2x36/40	240	0.311	--	≥ 0.95

Data subject to variation due to change/improvement in the design, materials and processes.

<p>BAJAJ LUMINAIRES Making the difference</p>	DRAWN	VDS	12-01-2004	FOR - STD.
	CHECKED	DVRS		REV - 1 DATE-12-01-2004
	APPROVED	CRR		DRG.No
	DATA SHEET RELEASED ON DT-			BJI 236/240 FG - 001
BAJAJ ELECTRICALS LIMITED 15/17, SANT SAVTA MARG, REAY ROAD, MUMBAI-400 010.				* E-mail : luminaires@bajajelectricals.com