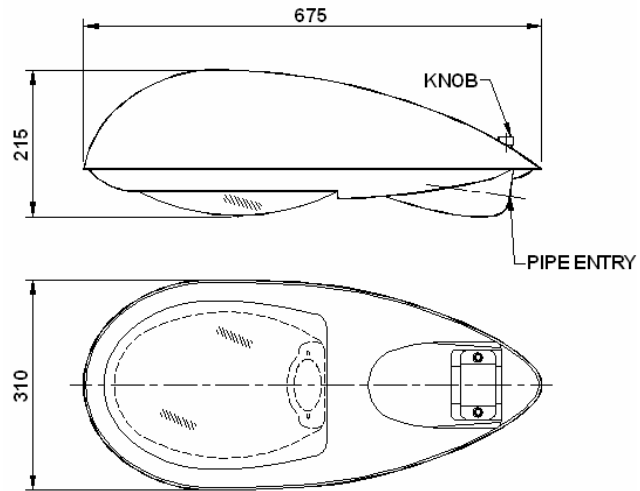




ROADWAY LIGHTING

BJJRL 150 SV/MH CG FFG

JET



NOMINAL DIMENSIONS IN mm Tolerance +/-5

Application

- Arterial roads
- Main roads
- Multi-level junctions
- Civic centers, Flyovers, etc.

Specification

- Epoxy cream powder coated high pressure die-cast aluminium bottom frame and cool blue powder coated top cover.
- Totally sealed lamp compartment with electrochemically brightened, polished and **anodised** finish computer aided pot optic aluminium reflector for tubular lamp.
- Heat resistant clear curved glass.
- Synthetic rubber gasket.
- Control gear accessories are mounted on the bottom frame suitable for 150 SV/MH lamp, GES (E-40) lamp holder prewired upto the terminal block.
- Side entry mounting suitable for 50 to 60 mm OD pipe bracket.
- Maintenance from top. Top cover to be open by Unscrew the locking knob to open the luminaire for lamp & accessories maintenance.
- Degree of protection: IP 66 (Lamp compartment)

Electrical Data

Product Code	Cat. Ref.	Lamp Type & Wattage (W)	Nominal Voltage (V)	Mains Current in Amps. At 240 V	Capacitor Mfd.	Power Factor
168880	BJJRL 150 SV CG FFG	HPSV-T 150	220/240	0.80	20	≥ 0.85
168881	BJJRL 150 MH CG FFG	MH-T 150	220/240	0.80	20	≥ 0.85

Data subject to variation due to change/improvement in the design, materials and processes.

<p>BAJAJ LUMINAIRES Making the difference</p>	DRAWN	KPM	14-12-2009	FOR – Std.
	CHECKED	KS/VDS		REV - 0 DATE-14-12-2009
	APPROVED	CRR		DRG.No
	DATA SHEET RELEASED ON DT-			JRL 150 SV/MH CG PDC - 001