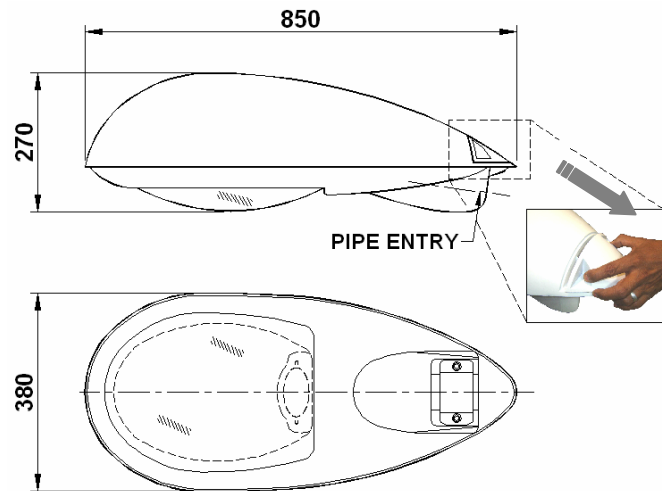
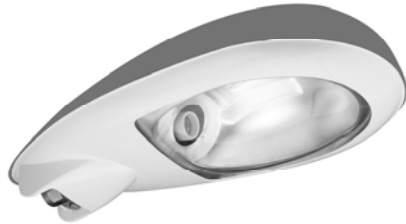




ROADWAY LIGHTING

BJJRL 400 SV/MH CG FFG

JET



NOMINAL DIMENSIONS IN mm Tolerance +/-5

Application

- Highways, Flyovers,
- Main roads, Multi-level junctions,
- Civic centers, Traffic round-abouts, etc.

Specification

- Epoxy cream powder coated high pressure die-cast aluminium bottom frame and cool blue powder coated top cover.
- Totally sealed lamp compartment with electrochemically brightened, polished and **anodised** finish computer aided pot optic aluminium reflector for tubular lamp.
- Heat resistant clear curved glass.
- Synthetic rubber gasket.
- Control gear accessories are mounted on the bottom frame suitable for 400W HPSV/MH lamp, GES (E-40) adjustable lamp holder prewired upto the terminal block.
- Side entry mounting suitable for 50 to 60 mm OD pipe bracket.
- Spring and latch locking arrangement for fixing the cover with frame.
- Maintenance from top. Top cover to be open by pulling the spring latch for lamp & accessories maintenance.
- Degree of protection: IP 66 (Lamp compartment)

Electrical Data

| Product Code | Cat. Ref. | Lamp Type & Wattage (W) | Nominal Voltage (V) | Mains Current in Amps. At 240 V | Capacitor Mfd. | Power Factor |
|--------------|---------------------|-------------------------|---------------------|---------------------------------|----------------|--------------|
| 168884 | BJJRL 400 SV CG FFG | HPSV T 400 | 220/240 | 2.10 | 42 | ≥ 0.85 |
| 168885 | BJJRL 400 MH CG FFG | MH T 400 | 220/240 | 2.10 | 42 | ≥ 0.85 |

Data subject to variation due to change/improvement in the design, materials and processes.

| | | | | |
|--|----------------------------|-----|------------|--|
| | DRAWN | KPM | 14-12-2009 | FOR -Std. |
| | CHECKED | VDS | | REV - DATE-14-12-2009 |
| | APPROVED | CRR | | DRG.No |
| | DATA SHEET RELEASED ON DT- | | | JRL 400 SV/MH CG FFG - 001 |
| BAJAJ ELECTRICALS LIMITED 15/17, SANT SAVTA MARG, REAY ROAD, MUMBAI-400 010. | | | | * E-mail: luminaires@bajajelectricals.com |