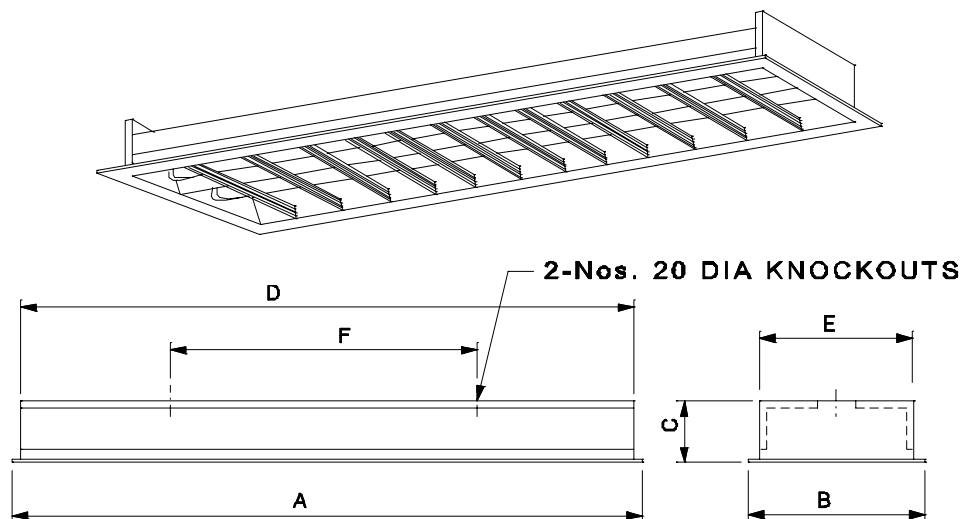




COMMERCIAL DECORATIVE LIGHTING

BJLM 136/140/236/240

BJLM 136/140 WEB1 / BJLM 236/240 WEB2

Recess mounting single / twin fluorescent lamp mirror optic luminaire for **Luxalon** ceiling

Nominal dimensions in mm Tolerance +/-5

Cat. Ref.	A	B	C	D	E	F
BJLM 136/140	1250	184	110	1228	161	600
BJLM 236/240	1250	284	82	1228	263	600
BJLM 136/140 WEB1	1250	184	110	1228	161	600
BJLM 236/240 WEB2	1250	284	82	1228	263	600

Applications

- Airport lounges
- Banks & offices
- Departmental stores, etc.

Specification

- Epoxy white powder coated CRCA sheet steel housing
- High quality pre-anodised aluminium parabolic reflector and serrated matt anodised aluminium extruded baffles
- Louver fixing arrangement is push fit mechanism and suspended by two nylon strings for easy maintenance
- Accessories for single / twin 36/40 fluorescent lamp(s), prewired upto terminal block.
- Wired with open construction / HF electronic ballast.

Electrical Data

Cat. Ref.	Lamp Type & Wattage (W)	Nominal Voltage (V)	Mains Current in Amps. at 240 V	Capacitor Mfd.	Power Factor
BJLM 136/140	FTL 1x36/40	240	0.22/0.23	4.00	≥ 0.85
BJLM 236/240	FTL 2x36/40	240	0.43/0.45	8.00	≥ 0.90
BJLM 136/140 WEB1	FTL 1x36/40	240	0.156	--	≥ 0.95
BJLM 236/240 WEB2	FTL 2x36/40	240	0.311	--	≥ 0.95

Data subject to variation due to change/improvement in the design, materials and processes.

	DRAWN	VDS	15-01-2005	FOR - STD.
	CHECKED	DVRS	15-01-2005	REV - 1 DATE-25-01-2008
	APPROVED	CRR	15-01-2005	DRG.No
	DATA SHEET RELEASED ON DT- JAN 2005			LM 140/240 - 001