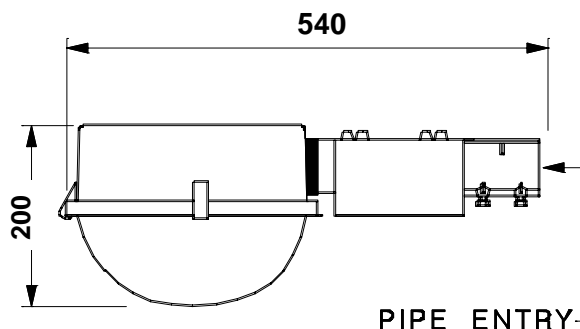




## ROADWAY LIGHTING

BAJAJ BJMIP 125 MV



Max. Width – 295mm

NOMINAL DIMENSIONS IN mm Tolerance +/-5

## Application

- Small roads
- Lanes & by-lanes
- Small traffic roundabouts
- Security lighting
- Construction sites etc.

## Specification

- Electrochemically brightened and anodised aluminium reflector in hydro formed sheet aluminium housing
- Die-cast aluminium control gear housing in black powder coated finish
- Highly transparent clear acrylic bowl with anti-moth treated felt gasket fixed to the housing by SS toggles
- Control gear for 125W MV lamp, ES/BC lamp holder prewired upto the terminal block
- 2 Nos. bolts for 40 to 50 mm OD pipe bracket
- Degree of protection : IP 54 (Lamp compartment)  
IP 33 (Control gear housing)

## Electrical Data

| Cat. Ref.    | Lamp Type & Wattage (W) | Nominal Voltage (V) | Mains Current in Amps. At 240 V | Capacitor Mfd. | Power Factor |
|--------------|-------------------------|---------------------|---------------------------------|----------------|--------------|
| BJMIP 125 MV | HPMV 125                | 200/220/240         | 0.69                            | 10             | ≥ 0.85       |

Data subject to variation due to change/improvement in the design, materials and processes.

|  |                            |     |            |   |
|--|----------------------------|-----|------------|---|
| <p><b>BAJAJ LUMINAIRES</b><br/>Making the difference</p>                     | DRAWN                      | VDS | 12-01-2004 | FOR – Std.  |
|  | CHECKED                    | KS  |            | REV - 0 DATE-11-01-2008   |
|  | APPROVED                   | CRR |            | DRG. No   |
|  | DATA SHEET RELEASED ON DT- |     |            | <b>MIP 125 MV - 001</b>   |
| BAJAJ ELECTRICALS LIMITED 15/17, SANT SAVTA MARG, REAY ROAD, MUMBAI-400 010. |                            |     |            | * E-mail : <a href="mailto:luminaires@bajajelectricals.com">luminaires@bajajelectricals.com</a> |