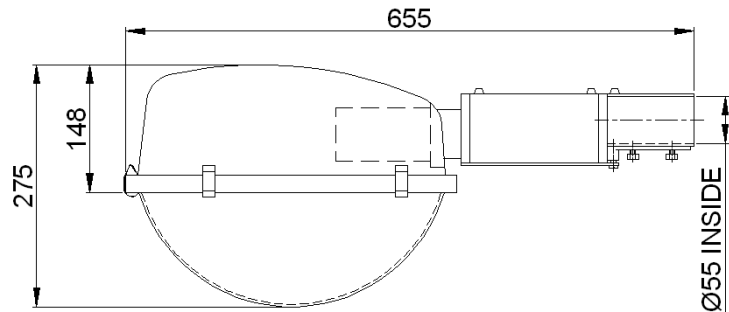




ROADWAY LIGHTING

BAJAJ BJMIP 150 SV



Max. Width = 290mm

Dimensions in mm Tolerance +/-5

Application

- Small roads
- Lanes & by-lanes
- Small traffic roundabouts
- Security lighting
- Construction sites etc.

Specification

- Electrochemically brightened and anodised aluminium canopy as reflector in hydro formed sheet aluminium housing
- Die-cast aluminium control gear housing powder coating in black in finish
- Highly transparent clear acrylic bowl with anti-moth treated felt gasket fixed to the housing by SS toggles
- Control gear for 150W SV/MH lamp, GES lamp holder prewired upto the terminal block
- 2 Nos. bolts for 40 to 50 mm OD pipe bracket
- Degree of protection : IP 54 (Lamp compartment)
IP 33 (Control gear housing)

Electrical Data

Product code no.	Cat. Ref.	Lamp Type & Wattage (W)	Nominal Voltage (V)	Mains Current in Amps. At 240 V	Capacitor Mfd.	Power Factor
162382	BJMIP 150 SV	HPSV 150	220/240	0.80	20	≥ 0.85

Data subject to variation due to change/improvement in the design, materials and processes.

	DRAWN	VDS	05-10-2007	FOR – STD.
	CHECKED	KS		REV - 0 DATE-05-10-2007
	APPROVED	CRR		DRG.No
	DATA SHEET RELEASED ON DT-			MIP 150 SV - 001