

Urban Architecture Lighting

GREEN - Decorative Roadway Lighting Luminaire

BJMPTI 80/125 MV/ 70 SV/MH



Renaissance - Post Top Lantern

Applications

Resorts & Townships, Pathways, City Centres, Gardens and Precincts.

Specification

Black painted die-cast aluminium alloy pole mounting spigot.

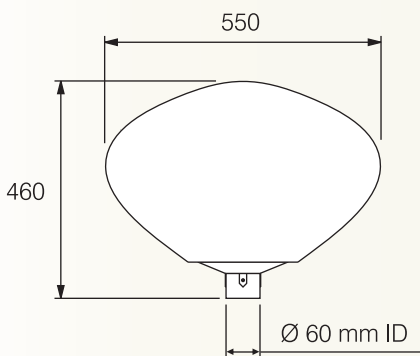
E27 lamp holder for 80/125W HPMV / 70W HPSV lamp, open construction ballast and accessories are wired up to the terminal block.

Mushroom shape UV stabilised roto mould diffuser is fixed against the spigot by pressure plate.

Bottom entry mounting for 50 mm OD pipe bracket.

HPF version available on request.

Ingress protection : IP 54



BJMPTI 80/125 MV/ 70 SV/MH

- Due to continuous efforts in developing products, improvement- Bajaj Electricals Limited reserves the right to make changes in the design and data and withdraw the luminaires without any prior notice.
- All product and installations are indicative.
- Technical information mention in this booklet is pre-released only.

Data subject to change due to improvement in the design, materials and processes. Variations in dimensions + 3mm

 **BAJAJ LUMINAIRE**
Making the difference

LUMINAIRE BUSINESS UNIT

15/17, Sant Savta Marg, Reay Road, Mumbai - 400 010.

Tel. : 23765000 Fax : 022-23730504

E-mail: luminaires@bajajelectricals.com

Website: www.bajajelectricals.com