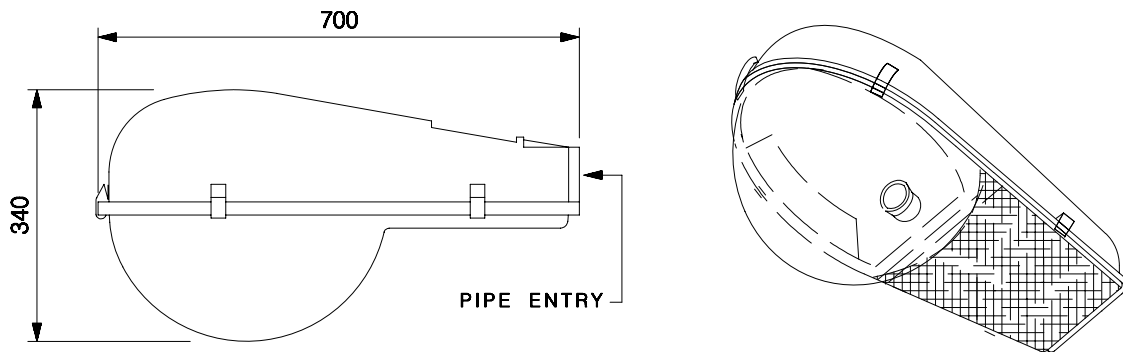




ROADWAY LIGHTING

BJMSC 02 250 SV



Max. width - 325

NOMINAL DIMENSIONS IN mm Tolerance +/-5

Application

- Highway
- Main roads
- Multi-level junctions
- Traffic roundabouts
- Civic centers, etc.

Specification

- Grey hammertone outside and white inside single piece die-cast aluminium housing for lamp and control gear accessories
- Electrochemically brightened, polished and anodised aluminium side reflectors
- Highly transparent acrylic bowl with anti-moth treated felt gasket covering lamp and control gear fixed with SS toggles
- Control gear for 250W SV lamp, GES lamp holder prewired upto the terminal block
- Side entry mounting for 50 to 60 mm OD pipe bracket
- Connector is provided
- Degree of protection : IP 54

Electrical Data

Cat. Ref.	Lamp Type & Wattage (W)	Nominal Voltage (V)	Mains Current in Amps. At 240 V	Capacitor Mfd.	Power Factor
BJMSC 02 250 SV	HPSV 250	220/240	1.30	30	≥ 0.85

Data subject to variation due to change/improvement in the design, materials and processes.

<p>BAJAJ LUMINAIRES Making the difference</p>	DRAWN	VDS	12-03-2003	FOR - std.
	CHECKED	KS		REV - 0 DATE-11-01-2008
	APPROVED	CRR		DRG. No
	DATA SHEET RELEASED ON DT-			MSC 02 250 SV - 001