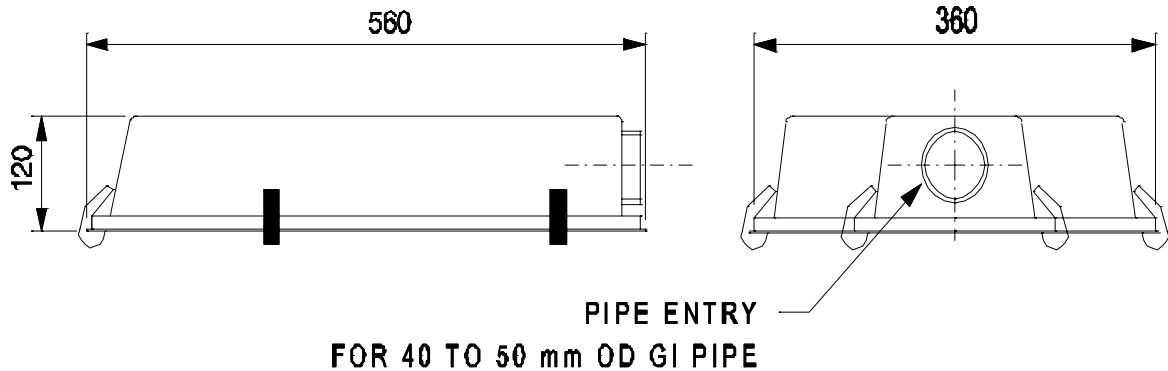




ROADWAY LIGHTING

BJMSD 1250 SV FG SH



NOMINAL DIMENSIONS IN mm Tolerance +/-5

**Application**

- Junctions
- Main roads
- Multi-level junctions
- Traffic round-about
- Construction sites, etc.

**Specification**

- Stove enamelled hammertone outside and white inside single piece deep drawn aluminium housing for lamp and C.G. accessories
- Electrochemically brightened and anodised aluminium side reflectors
- A heat resistant toughened clear glass and EPDM rubber gasket fixed to the housing by SS toggles
- Control gear for 250W SV lamp, GES (E40) lamp holder prewired upto the terminal block
- Side entry mounting suitable for 40 to 50 mm OD pipe bracket
- Degree of protection : IP 65

**Electrical Data**

Cat. Ref.	Lamp Type & Wattage (W)	Nominal Voltage (V)	Mains Current in Amps. At 240 V	Capacitor Mfd.	Power Factor
BJMSD 1250 SV FG SH	HPSV T 250	220/240	1.30	30	≥ 0.85

Data subject to variation due to change/improvement in the design, materials and processes.

<p><b>BAJAJ LUMINAIRES</b> Making the difference</p>	DRAWN	VDS	06-11-2007	FOR -
	CHECKED	ks		REV - 0 DATE-06-11-2007
	APPROVED	CRR		DRG.No
	DATA SHEET RELEASED ON DT-			<b>MSD 1250 SV FG SH - 001</b>