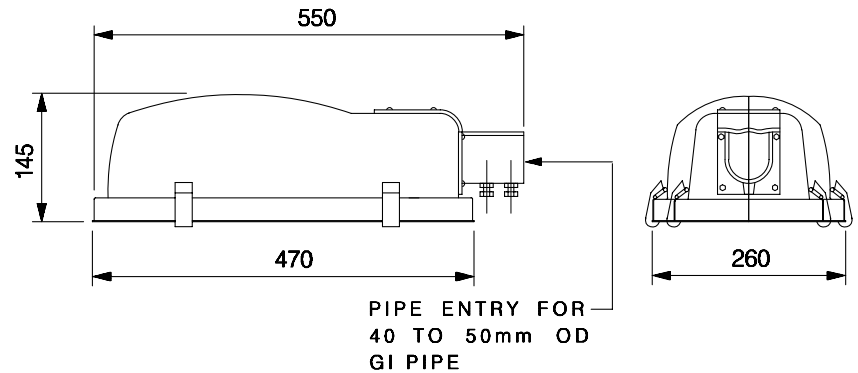




ROADWAY LIGHTING LUMINAIRE

BAJAJ BJMSD T 03 150 SV/MH IP65



NOMINAL DIMENSIONS IN mm Tolerance +/-5

Applications

- Arterial roads
- Main roads
- Multi-level junctions
- Traffic roundabouts
- Civic centers

Specification

- Single piece sheet aluminium housing for lamp and C.G. accessories with gasket
- Toughened clear glass for lamp and C.G. accessories fixed with SS toggles
- Control gear for 150W SV/MH lamp, GES lamp holder prewired upto terminal block
- Mounting bolts for 40 to 50 mm OD pipe bracket
- Degree of protection : IP 65

Electrical Data

Cat. Ref.	Lamp Type & Wattage (W)	Nominal Voltage (V)	Mains Current in Amps. At 240 V	Capacitor Mfd.	Power Factor
BJMSD T 03 150 SV/MH IP65	HPSV/MH 150	220/240	0.80	20	0.85

Data subject to variation due to change/improvement in the design, materials and processes.

<p>BAJAJ LUMINAIRE Making the difference</p>	DRAWN	VDS	01-02-2007	FOR – Std.
	CHECKED	KS		REV - 0 DATE-01-02-2007
	APPROVED	CRR		DRG.No
	DATA SHEET RELEASED ON DT- FEB.2007			MSDT 03 150SV IP65-001
BAJAJ ELECTRICALS LIMITED 15/17, SANT SAVTA MARG, REAY ROAD, MUMBAI-400 010.				* E-mail : luminaires@bajajelectricals.com