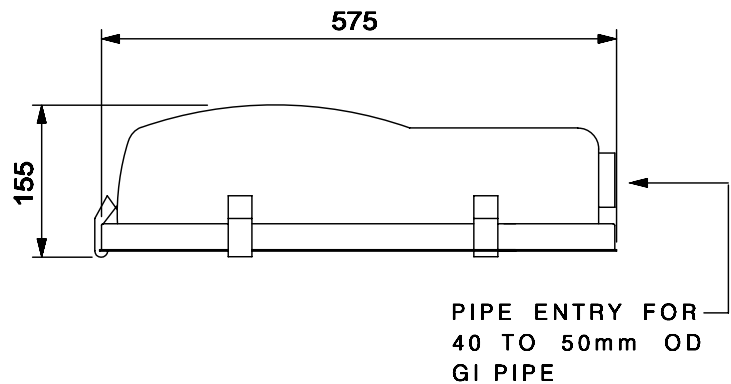




ROADWAY LIGHTING

BJMSD T 03 250 SV/MH IP65



NOMINAL DIMENSIONS IN mm Tolerance +/-5

Max. Width = 295 mm

Application

- Arterial roads
- Main roads
- Multi-level junctions
- Traffic roundabouts
- Civic centers

Specification

- Single piece sheet aluminium housing for lamp and C.G. accessories with gasket
- Toughened clear glass for lamp and C.G. accessories fixed with .SS toggles
- Control gear for 250W tubular SV/MH lamp, GES lamp holder prewired upto terminal block
- Mounting bolts for 40 to 50 mm OD pipe bracket
- Degree of protection : IP 65

Electrical Data

Cat. Ref.	Lamp Type & Wattage (W)	Nominal Voltage (V)	Mains Current in Amps. At 240 V	Capacitor Mfd.	Power Factor
BJMSD T 03 250 SV/MH IP 65	HPSV/MH T 250	220/240	1.30	30	0.85

Data subject to variation due to change/improvement in the design, materials and processes.

	DRAWN	VDS	04-10-2005	FOR – Std.
	CHECKED	KS		REV - 0 DATE-04-10-2005
	APPROVED	CRR		DRG.No
	DATA SHEET RELEASED ON DT-			MSDT 03 250 SV/MH - 001
BAJAJ ELECTRICALS LIMITED 15/17, SANT SAVTA MARG, REAY ROAD, MUMBAI-400 010.				* E-mail : luminaires@bajajelectricals.com