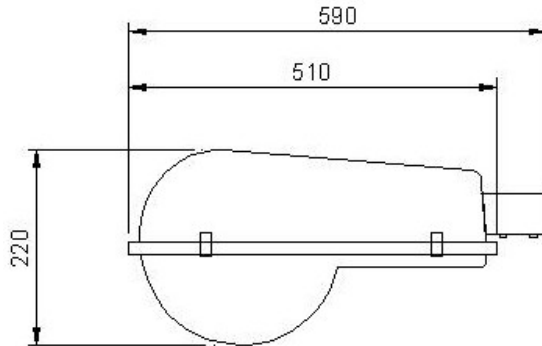




ROADWAY LIGHTING LUMINAIRE

BJMSD T 03 85 RF CFL ACR



NOMINAL DIMENSIONS IN mm Tolerance +/-5

Applications

- Arterial roads
- Main roads
- Multi-level junctions
- Traffic roundabouts
- Civic centers

Specification

- Single piece sheet aluminium housing for lamp and C.G. accessories with gasket
- Acrylic cover for lamp and C.G. accessories fixed with SS toggles
- Suitable for 85W **RETROFIT** CFL lamp, BC/E-27/E-40 lamp holder prewired upto terminal block
- Mounting bolts for 40 to 50 mm OD pipe bracket
- Degree of protection : IP 54

Electrical Data

Cat. Ref.	Lamp Type & Wattage (W)	Nominal Voltage (V)	Mains Current in Amps. At 240 V
BJMSD T 03 85 RF CFL ACR	RETROFIT CFL 85	240	0.3

Data subject to variation due to change/improvement in the design, materials and processes.

<p>BAJAJ LUMINAIRE Making the difference</p>	DRAWN	VDS	22-10-2007	FOR – Std.
	CHECKED	KS		REV - 0 DATE-22-10-2007
	APPROVED	CRR		DRG.No
	DATA SHEET RELEASED ON DT-			MSDT 03 85 RF CFL ACR-001
BAJAJ ELECTRICALS LIMITED 15/17, SANT SAVTA MARG, REAY ROAD, MUMBAI-400 010.				* E-mail : luminaires@bajajelectricals.com