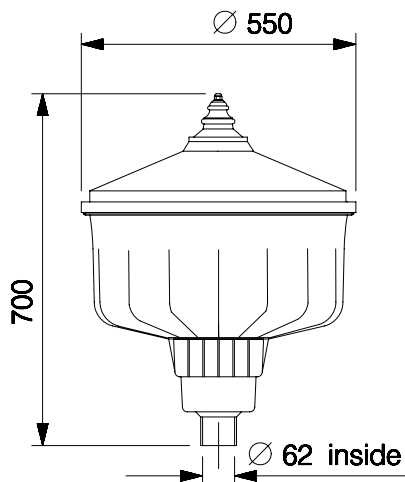


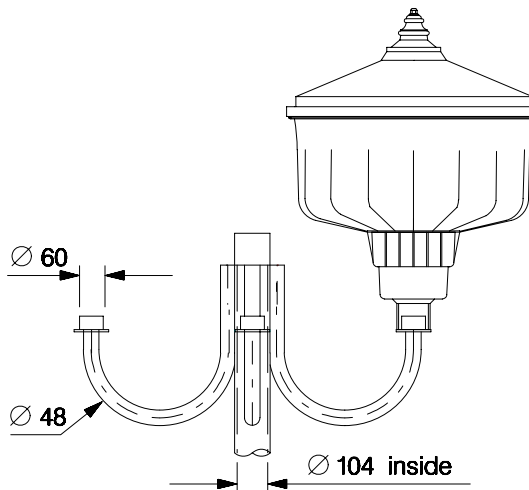


**RENAISSANCE**  
 BJODCI 250 SV/MH  
 BJODCI 3x250 SV/MH

Unique design, single/triple "JUNO" **integral** post top lantern for HID Lamp



**SINGLE**



**CLUSTER ARRANGEMENT**

Dimensions in mm Tolerance +/-5

**Applications**

- Public areas
- Parks & Gardens
- Pedestrian precincts
- Road junctions
- Circulating areas
- Residential blocks, etc.

**Features**

- Fully vermin and weatherproof
- Elegant in shape & appearance
- UV stabilized clear acrylic diffuser
- Electrical safety – Class I
- Degree of protection: IP 54

**Specification**

- Brown painted LM6 aluminium alloy spigot
- Brown painted top cover with aluminium reflector inside for better optical distribution
- Integral control gear (With all accessories) is provided as per the lamp wattage given below
- GES lamp holder, prewired upto the terminal block depending on type of lamp used
- Mounting suitable for 50 to 60 mm OD pipe
- Option of cluster arrangement is also available for three luminaires

**Electrical Data**

Cat. Ref.	Lamp Type & Wattage (W)	Nominal Voltage (V)	Mains Current In Amps. At 240 V	Capacitor Mfd.	Power Factor
BJODCI 250 SV/MH	HPSV/MH 1x250	220/240	1.30	30	≥ 0.85
BJODCI 3x250 SV/MH	HPSV/MH 3x250	220/240	3.60	3x30	≥ 0.85

Data subject to variation due to change/improvement in the design, materials and processes.

<p><b>BAJAJ LUMINAIRE</b> Making the difference</p>	DRAWN	VDS	24-03-2008	FOR –
	CHECKED	KS		REV - 0 DATE-24-03-2008
	APPROVED	CRR		DRG. No
	DATA SHEET RELEASED ON DT-			<b>ODCI 250 SV/MH-001</b>