

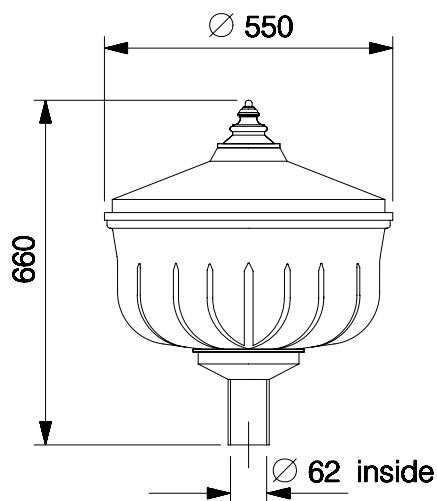


## RENAISSANCE

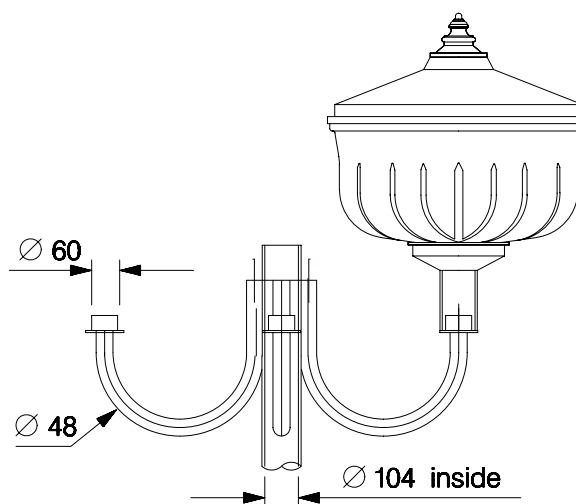
BJODC 250/400 SV/MH

BJODC 3x250/400 SV/MH

Unique design, single/triple "JUNO" **non-integral** post top lantern for HID Lamp



SINGLE



CLUSTER ARRANGEMENT

Dimensions in mm Tolerance +/-5

## Applications

- Public areas
- Parks & Gardens
- Pedestrian precincts
- Road junctions
- Circulating areas
- Residential blocks, etc.

## Features

- Fully vermin and weather proof
- Elegant in shape & appearance
- UV stabilized clear acrylic diffuser
- Decorative 'J' type pipes for multiple numbers
- Electrical safety – Class I
- Degree of protection: IP 54

## Specification

- Brown painted LM6 aluminium alloy spigot
- Brown painted top cover with aluminium reflector inside for better optical distribution
- Separate control gear required for 250/400W SV/MH lamp
- GES lamp holder, prewired upto the terminal block depending on type of lamp used
- Mounting suitable for 50 to 60 mm OD pipe
- Option of cluster arrangement is also available for three luminaires

Data subject to variation due to change/improvement in the design, materials and processes.

	DRAWN	VDS	24-03-2008	FOR –
	CHECKED	KS		REV - 0 DATE-24-03-2008
	APPROVED	CRR		DRG. No
	DATA SHEET RELEASED ON DT-			<b>ODC 250/400 SV/MH-001</b>