

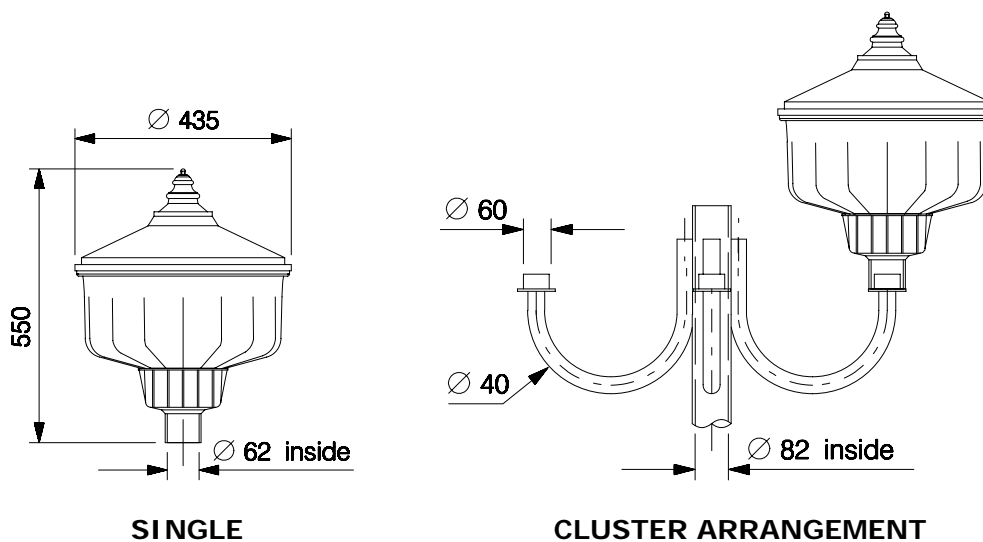


RENAISSANCE

BJODC 150 SV/MH / MH DE / MH SE

BJODC 3x150 SV/MH / MH DE / MH SE

Unique design, single/triple "JUNO" **non-integral** post top lantern for HID Lamp



Dimensions in mm Tolerance +/-5

Applications

- Public areas
- Parks & Gardens
- Pedestrian precincts
- Road junctions
- Circulating areas
- Residential blocks, etc.

Features

- Fully vermin and weatherproof
- Elegant in shape & appearance
- UV stabilized clear acrylic diffuser
- Electrical safety – Class I
- Degree of protection: IP 54

Specification

- Brown painted LM6 aluminium alloy spigot
- Brown painted top cover with aluminium reflector inside for better optical distribution
- Separate control gear required for 150W SV/MH DE-SE lamp
- GES/ES/pair of Rx 7s-24 lamp holder, prewired upto the terminal block depending on type of lamp used
- Mounting suitable for 50 to 60 mm OD pipe
- Option of cluster arrangement is also available for three luminaires

Data subject to variation due to change/improvement in the design, materials and processes.

<p>BAJAJ LUMINAIRES Making the difference</p>	DRAWN	VDS	24-03-2008	FOR –
	CHECKED	KS		REV - 0 DATE-24-03-2008
	APPROVED	CRR		DRG. No
	DATA SHEET RELEASED ON DT-			ODC 150 SV/MH-001
BAJAJ ELECTRICALS LIMITED 15/17, SANT SAVTA MARG, REAY ROAD, MUMBAI-400 010.				* E-mail : luminaires@bajajelectricals.com