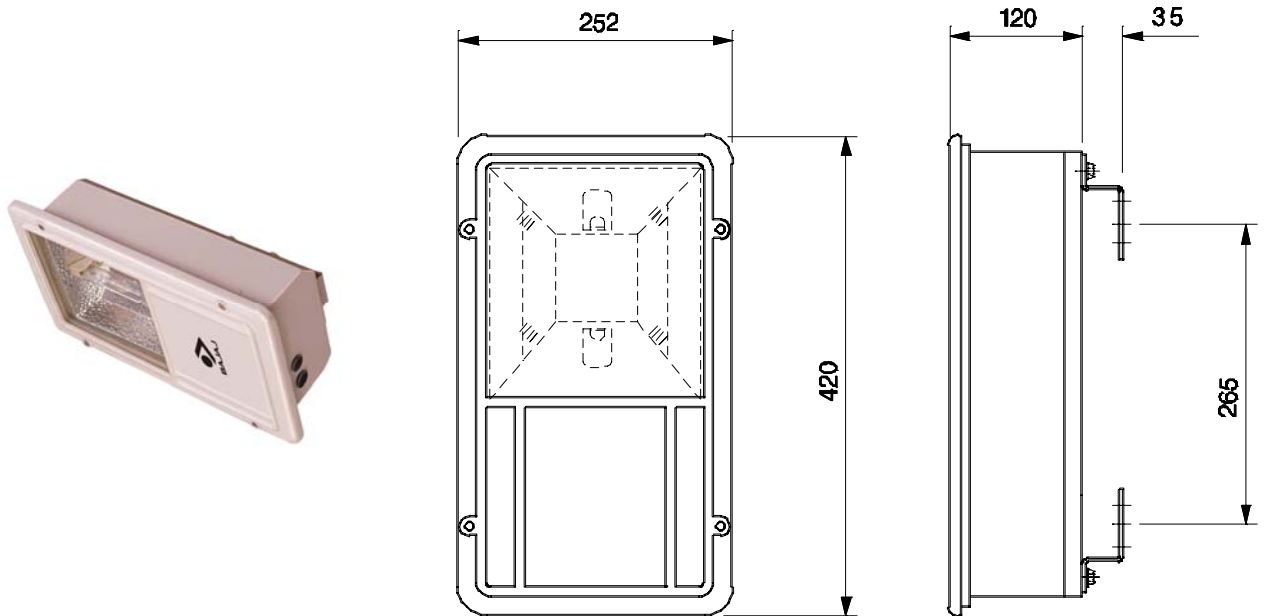




AREA LIGHTING
INTEGRAL LUMINAIRE
BJPP 70/150 MH DE CA



NOMINAL DIMENSIONS IN mm Tolerance +/-5

Application

A compact high efficiency luminaire suitable for double ended metal halide lamp is ideally suited for lighting of petrol pumps and similar such applications.

Specification

- The luminaire consists of Cast aluminium housing complete with control gear wired upto terminal block.
- A toughened glass held in frame encloses the housing. Which has a rubber gasket and the same can be hinged for easy maintenance/relamping.
- Excellent optical control is achieved by computer aided designed reflector made of high purity anodised aluminium sheet giving high light output with improved spread and uniformity. It renders exacting lighting performance with low glare.
- Finish: White powder coated.
- Mounting: It can be done on mounting brackets as shown.

Electrical Data

Cat. Ref.	Lamp Type & Wattage (W)	Nominal Voltage (V)	Mains Current in Amps. at 240 V	Capacitor Mfd.	Power Factor
BJPP 70 MH DE CA	MH DE 70	220/240	0.40	10	≥ 0.85
BJPP 150 MH DE CA	MH DE 150	220/240	0.80	20	≥ 0.85

Data subject to variation due to change/improvement in the design, materials and processes.

<p>BAJAJ LUMINAIRE Making the difference</p>	DRAWN	VDS	18-01-2008	FOR - STD.
	CHECKED	KS		REV - 0 DATE-18-01-2008
	APPROVED	CRR		DRG.No
	DATA SHEET RELEASED ON DT-			PP150 MH DE CA - 001