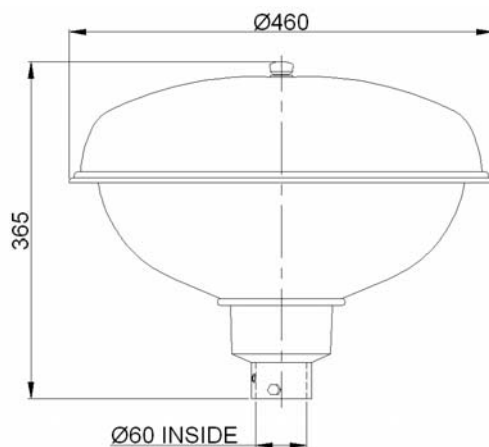


bajaj

OUTDOOR LIGHTING

BJPTI 80/125 MV / 70SV



NOMINAL DIMENSIONS IN mm Tolerance +/-5

APPLICATION

- Precinct and promenade lighting,
- Security lighting of commercial and residential entrance gate,
- Parks & gardens,
- Pathway, etc.

SPECIFICATION

- Black painted spun aluminium canopy.
- Black painted cast aluminium spigot.
- Light stabilised type opal acrylic diffuser.
- Integral version incorporated with control gear for 80/125 MV / 70 SV lamp in the spigot.
- BC/ES lamp holder is prewired with PVC insulated and PVC sheathed prewired upto the terminal block.
- Bottom entry mounting for 60mm OD pipe bracket.

ELECTRICAL DATA

Cat. Ref.	Product Code	Lamp Type & Wattage (W)	Nominal Voltage (V)	Mains Current in Amps. At 240 V
BJPTI 80 MV	162441	HPMV 80	200/220/240	0.80
BJPTI 125 MV	162442	HPMV 125	200/220/240	1.15
BJPTI 70 SV	162443	HPSV 70	220/240	0.98
BJPTI 70 MH	162444	MH 70	220/240	0.98

Data subject to variation due to change / improvement in the design, materials and processes.

bajaj electricals limited LUMINAIRES DIVISION	DRAWN	KPM	12-12-2007	REVISION – 0
	CHECKED	KS		DATE – 12-12-2007
	APPROVED	CRR		DRG.No
	DATA SHEET RELEASED ON DT-			PTI 80/125 MV/70SV – 001
15/17, SANT SAVTA MARG, REAY ROAD, MUMBAI-400 010.			* E-mail : luminaires@bajajelectricals.com	