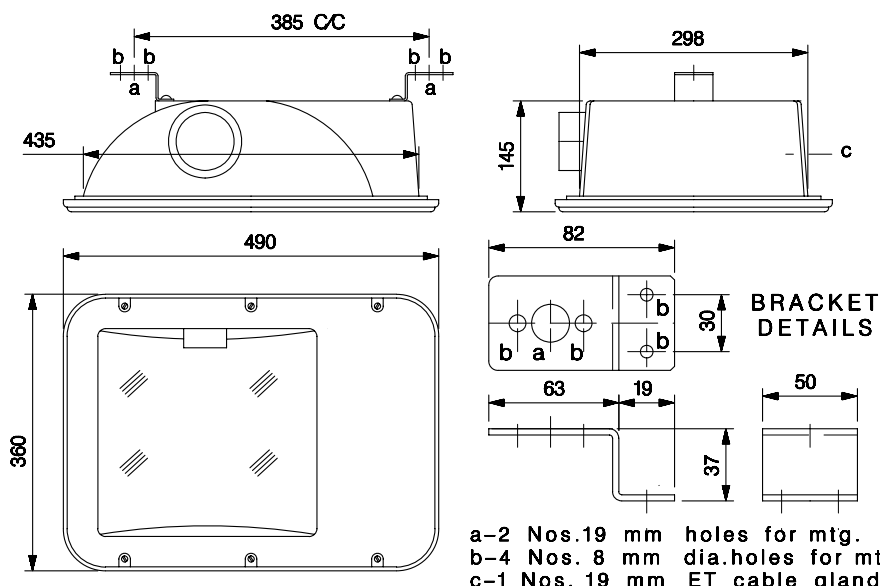




CANOPY LIGHTING INTEGRAL LUMINAIRE

BJUCL 250/400 SV/MH S

BJUCL 250/400 SV/MH AS



Dimensions in mm Tolerance +/-5 (Except mtg. Hole)

Application

- Petrol pumps, Public halls, Under canopy lighting, etc.

Specification

- White epoxy powder coated recess mounting die-cast aluminium housing to accommodate lamp and control gear accessories
- Electrochemically brightened, polished and anodised aluminium reflector assembly
- Heat resistant toughened clear glass with silicon rubber gasket held in a die-cast aluminium frame and fixed by SS screws
- Control gear for 250/400W SV/MH T lamp, lamp prewired upto the terminal block
- Luminaire to be mounted with the help of mounting brackets as shown
- This luminaire is suitable for 150 MM panel ceiling (Multiples of 150 mm)
- Degree of protection : IP 65 (From front glass)
- Available in Symmetrical & Asymmetrical version

Electrical Data

Cat. Ref.	Lamp Type & Wattage (W)	Nominal Voltage (V)	Mains Current in Amps. at 240 V	Capacitor Mfd.	Power Factor
BJUCL 250 SV/MH S	HPSV/MH-T 250	220/240	1.30	30	≥ 0.85
BJUCL 250 SV/MH AS	HPSV/MH-T 250	220/240	1.30	30	≥ 0.85
BJUCL 400 SV/MH S	HPSV/MH-T 400	220/240	2.10	42	≥ 0.85
BJUCL 400 SV/MH AS	HPSV/MH-T 400	220/240	2.10	42	≥ 0.85

Data subject to variation due to change/improvement in the design, materials and processes.

<p><b>BAJAJ LUMINAIRES</b> Making the difference</p>	DRAWN	VDS	04.11-2008	FOR – STD.
	CHECKED	KS		REV - 0 DATE-04.11-2008
	APPROVED	CRR		DRG. No
	DATA SHEET RELEASED ON DT-			<b>UCL 250 SV/MH S - 001</b>
<b>BAJAJ ELECTRICALS LIMITED</b> 15/17, SANT SAVTA MARG, REAY ROAD, MUMBAI-400 010.				* E-mail : <a href="mailto:luminaires@bajajelectricals.com">luminaires@bajajelectricals.com</a>