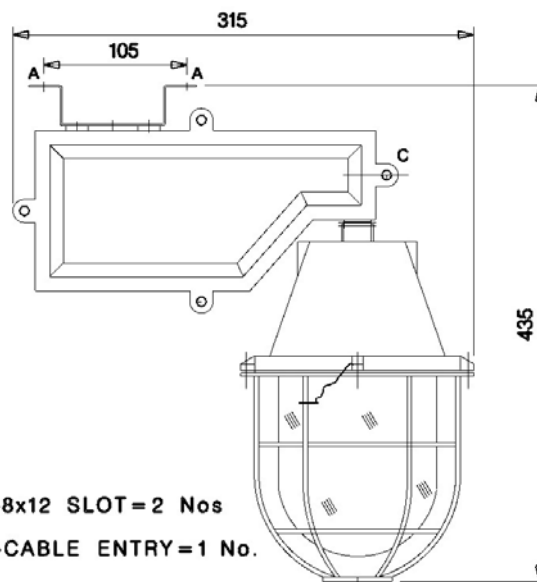




INDUSTRIAL LIGHTING

BAJAJ BJVWIS 150 SV/MH

Integral vapour-proof wellglass luminaire for HID lamp



A-8x12 SLOT=2 Nos
C-CABLE ENTRY=1 No.

Dimensions in mm Tolerance +/-5

Applications

- Steel plants
- Thermal power stations
- Fertilizer, pelletising plants
- Cement factories
- Paper mills
- Industrial bays, etc.

Specification

- Grey hammertone stove enamelled finish die-cast aluminium alloy housing
- Heat resistant wellglass fitted with a specially designed gasket
- GES (E40) lamp holder, prewired upto the terminal block
- MS zinc plated wire guard
- 1 No. cable entry of size 19 mm ET are provided.
- Control gear for 150 SV/MH lamp
- Special bracket for mounting
- Degree of protection : IP 65

Electrical Data

Cat. Ref.	Lamp Type & Wattage (W)	Nominal Voltage (V)	Mains Current in Amps. at 240 V	Capacitor Mfd.	Power Factor
BJVWIS 150 SV/MH	HPSV/MH 150	220/240	0.80	20	≥ 0.85

Data subject to variation due to change/improvement in the design, materials and processes.

<p>BAJAJ LUMINAIRES Making the difference</p>	DRAWN	VDS	07-10-2006	FOR - Std.
	CHECKED	KS		REV - 0 DATE-01-02-2008
	APPROVED	CRR		DRG. No
	DATA SHEET RELEASED ON DT-			VWIS 150SV - 001
BAJAJ ELECTRICALS LIMITED 15/17, SANT SAVTA MARG, REAY ROAD, MUMBAI-400 010.				* E-mail : luminaires@bajajelectricals.com