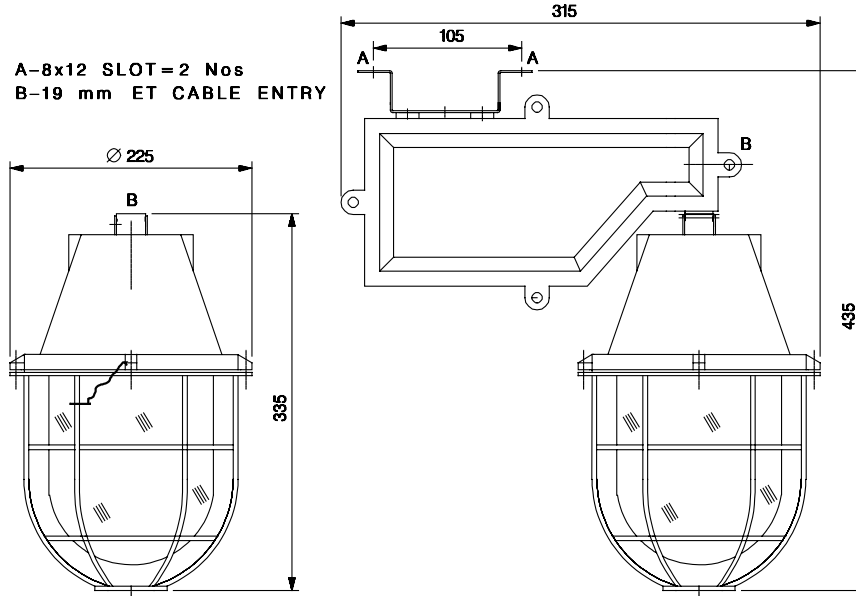




INDUSTRIAL LIGHTING

BJVW 300
BJVWIS 150 SV

Integral / non-integral vapour-proof wellglass luminaire for GLS / HID lamp



Dimensions in mm Tolerance +/-5

Applications

- Steel plants
- Thermal power stations
- Fertilizer, pelletising plants
- Cement factories
- Paper mills
- Industrial bays, etc.

Specification

- Gray hammertone stove enamelled finish die-cast aluminium alloy housing.
- Heat resistant wellglass fitted with a specially designed gasket.
- GES (E40) lamp holder, prewired upto the terminal block
- MS zinc plated wire guard
- Wellglass suitable upto 300W GLS lamp
- Control gear for 150 SV lamp
- Special bracket for mounting
- Degree of protection : IP 65

Electrical Data

Cat. Ref.	Lamp Type & Wattage (W)	Nominal Voltage (V)	Mains Current in Amps. at 240 V	Capacitor Mfd.	Power Factor
BJVWI 300	GLS 300	240	1.25	-	UNITY
BJVWIS 150 SV	HPSV 150	220/240	0.80	20	≥ 0.85

Data subject to variation due to change/improvement in the design, materials and processes.

<p>BAJAJ LUMINAIRES Making the difference</p>	DRAWN	VDS	07-10-2006	FOR -
	CHECKED	KS		REV - 0 DATE-01-02-2008
	APPROVED	CRR		DRG. No
	DATA SHEET RELEASED ON DT-OCT.-2006			VWIS 150SV - 001
BAJAJ ELECTRICALS LIMITED 15/17, SANT SAVTA MARG, REAY ROAD, MUMBAI-400 010.				* E-mail : luminaires@bajajelectricals.com