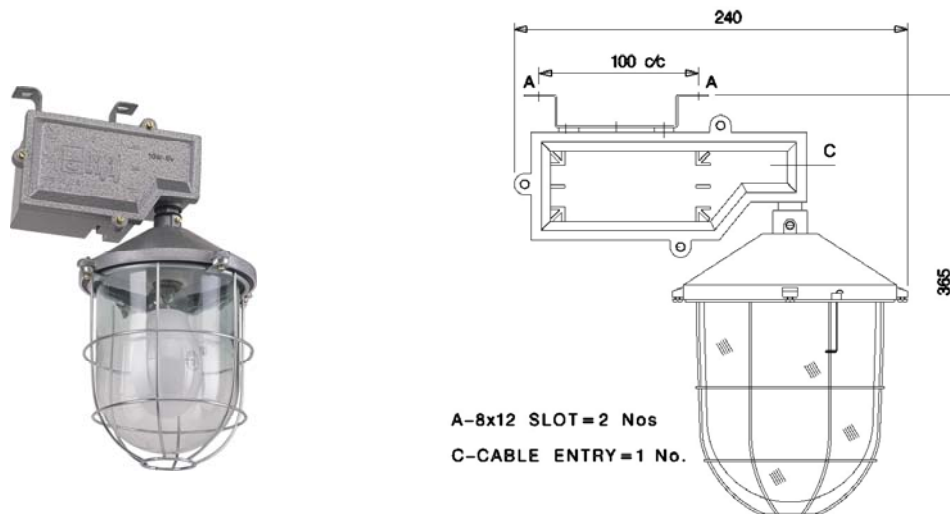




## INDUSTRIAL LIGHTING INTEGRAL VAPOUR-PROOF WELLGLASS

**BAJAJ** BJVWIS 80/125 MV / 70/100 SV/MH SE

### Integral vapour-proof wellglass luminaire for HID lamp



Nominal dimensions in mm Tolerance +/-5

### Applications

- Thermal power stations
- Fertilizer, pelletising plants
- Cement factories
- Paper mills
- Industrial bays, etc.

### Specification

- Grey hammertone stove enamelled finish pressure die-cast aluminium alloy housing
- Heat resistant wellglass fitted with a specially designed gasket
- BC/ES/E27 lamp holder, prewired upto the terminal block
- MS zinc plated wire guard
- 1 No. cable entry of size 19 mm ET a re provided.
- Control gear for 80/125W MV / 70/100 SV/MH SE lamp
- Special bracket for mounting
- Degree of protection : IP 65

### Electrical Data

Cat. Ref.	Lamp Type & Wattage (W)	Nominal Voltage (V)	Mains Current in Amps. at 240 V	Capacitor Mfd.	Power Factor
BJVWIS 80 MV	HPMV 80	200/220/240	0.43	8	≥ 0.85
BJVWIS 125 MV	HPMV 125	200/220/240	0.69	10	≥ 0.85
BJVWIS 70 SV/MH SE	HPSV/MH SE 70	220/240	0.40	10	≥ 0.85
BJVWIS 100 SV/MH SE	HPSV/MH SE 100	220/240	0.60	15	≥ 0.85

Data subject to variation due to change/improvement in the design, materials and processes.

<p><b>BAJAJ LUMINAIRE</b> Making the difference</p>	DRAWN	VDS	04-01-2005	FOR - Std.
	CHECKED	KS		REV - 0 DATE-04-01-2008
	APPROVED	CRR		DRG.No
	DATA SHEET RELEASED ON DT-			<b>VWIS 80/125/70 - 001</b>
<b>BAJAJ ELECTRICALS LIMITED</b> 15/17, SANT SAVTA MARG, REAY ROAD, MUMBAI-400 010.				* E-mail : <a href="mailto:luminaires@bajajelectricals.com">luminaires@bajajelectricals.com</a>