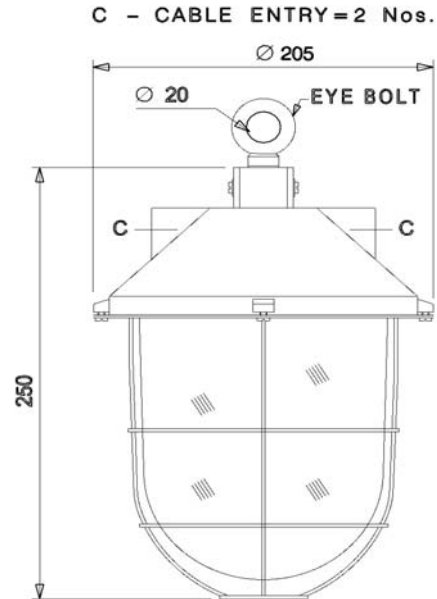




INDUSTRIAL LIGHTING
NON-INTEGRAL WELLGLASS
BJVW 200 2E

Non-integral, double entry vapour-proof wellglass luminaire for GLS/HID lamp



Nominal dimensions in mm Tolerance +/-5

Applications

- Steel plants
- Thermal power stations
- Fertilizer, pelletising plants
- Cement factories
- Paper mills
- Industrial bays, etc.

Specification

- Grey hammertone outside and stove enamelled white inside die-cast aluminium alloy housing.
- Heat resistant wellglass fitted with a specially designed gasket.
- BC/ES lamp holder, prewired upto the terminal block
- MS zinc plated wire guard.
- Wellglass suitable for 200W GLS lamp.
- Cable entry : 19 mm ET - 2 Nos. for Loop-in Loop-out facility.
- Degree of protection : IP 65

Note: Separate control gear is required when used with 80/125 HPMV / 70 HPSV lamp.

Data subject to variation due to change/improvement in the design, materials and processes.

<p>BAJAJ LUMINAIRE Making the difference</p>	DRAWN	VDS	04-01-2005	FOR - Std.
	CHECKED	KS		REV - 0 DATE-01-02-2008
	APPROVED	CRR		DRG. No
	DATA SHEET RELEASED ON DT-			VW 200 2E - 001
BAJAJ ELECTRICALS LIMITED 15/17, SANT SAVTA MARG, REAY ROAD, MUMBAI-400 010.				* E-mail : luminaires@bajajelectricals.com