

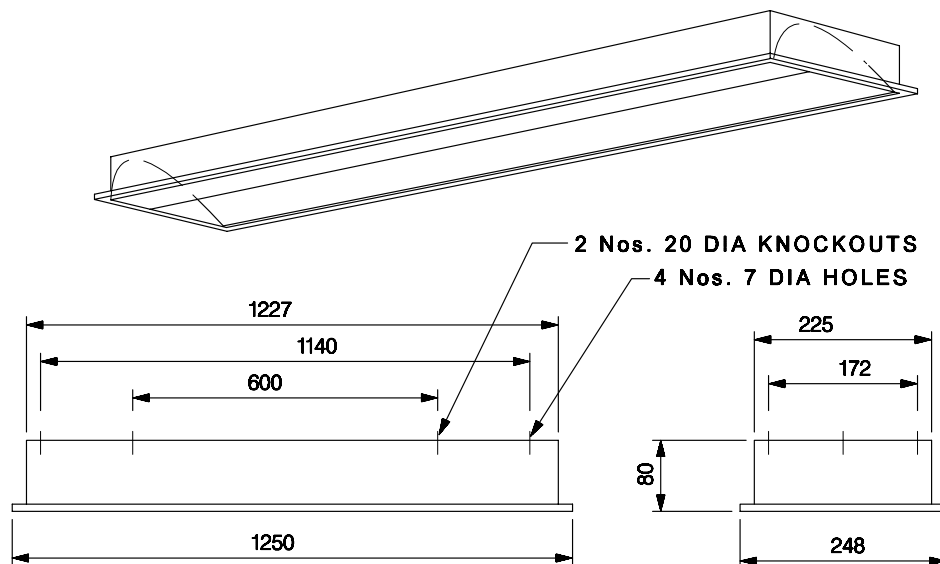


## COMMERCIAL DECORATIVE LIGHTING

BJWL 136/140 , BJWL136/140 WEB1

BJWL 236/240 , BJWL 236/240 WEB2

Recess mounting, decorative, single/twin fluorescent lamp wall lighter



Dimensions in mm Tolerance +/-5

## Application

- Classrooms
- Art galleries
- Shops and show windows
- Conference room
- Shopping malls
- Corridors, etc.

## Specification

- Epoxy white powder coated CRCA sheet steel housing
- High quality pre-anodised aluminium involute shaped reflector, partly covered by epoxy white powder coated sheet
- Accessories for single / twin 36/40W fluorescent lamps, prewired upto the terminal block
- Wired with open construction ballast/electronic ballast.

## Electrical Data

Cat. Ref.	Lamp Type & Wattage (W)	Nominal Voltage (V)	Mains Current in Amps. at 240 V	Capacitor Mfd	Power Factor
BJWL 136/140	1 x FTL 36/40	240	0.22/0.23	4.00	≥ 0.85
BJWL 236/240	2 x FTL 36/40	240	0.43/0.45	8.00	≥ 0.90
BJWL 136/140 WEB1	1 x FTL 36/40	240	0.15	--	≥ 0.95
BJWL 236/240 WEB2	2 x FTL 36/40	240	0.311	--	≥ 0.95

Data subject to variation due to change/improvement in the design, materials and processes.

 <b>BAJAJ LUMINAIRES</b> <i>Making the difference</i>	DRAWN	VDS	13-03-2007	FOR - STD.
	CHECKED	DVRS		REV-0 DATE-13-03-2007
	APPROVED	CRR		DRG.No
	DATA SHEET RELEASED ON DT-			WL 140/240 - 001
<b>BAJAJ ELECTRICALS LIMITED</b> 15/17, SANT SAVTA MARG, REAY ROAD, MUMBAI-400 010.				* E-mail : <a href="mailto:luminaires@bajajelectricals.com">luminaires@bajajelectricals.com</a>