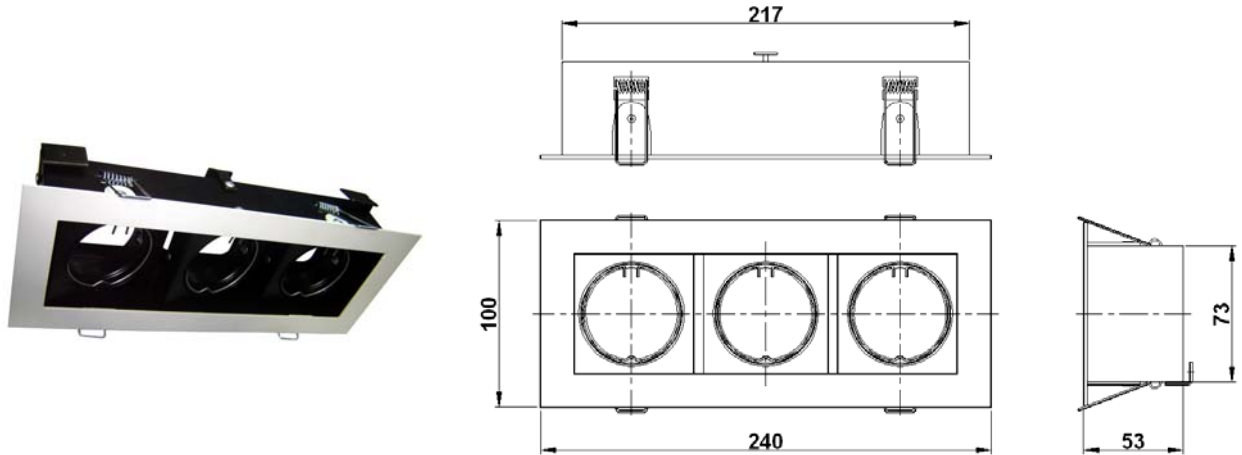




SWIVEL ACCENT LIGHTING

BLDRS 350 DH SL

Recess mounting multi swivel lamp luminaire



DIMENSIONS IN mm Tolerance +/-5

Applications

- Shops and Show windows
- Hotels and restaurants
- Commercial complexes
- Conference halls, etc

Specification

- Suitable for triple 12V, 50W DH lamp.
- Powder coated housing.
- Special swivel type **lamp carriage** assembly – to accent the object for right focus.
- Provision for mounting with the help of specially designed mounting clips/springs, for ease of installation and maintenance.
- Use Separate 230/12V Transformer for operating 3 x 50W 12V dichroic lamps.

Electrical Data

Cat. Ref.	Lamp Type & Wattage (W)	Nominal Voltage (V)
BLDRS 350 DH SL	3 x DICHOIC 50	230/12V

Data subject to variation due to change/improvement in the design, materials and processes.

<p><b>BAJAJ LUMINAIRES</b> Making the difference</p>	DRAWN	KPM	17-02-2010	FOR –
	CHECKED	SNJ		REV - 0 DATE-17-02-2010
	APPROVED	CRR		DRG.No
	DATA SHEET RELEASED ON DT-			<b>BLDRS 350 DH SL - 001</b>
<b>BAJAJ ELECTRICALS LIMITED</b> 15/17, SANT SAVTA MARG, REAY ROAD, MUMBAI-400 010.				* E-mail : <a href="mailto:luminaires@bajajelectricals.com">luminaires@bajajelectricals.com</a>