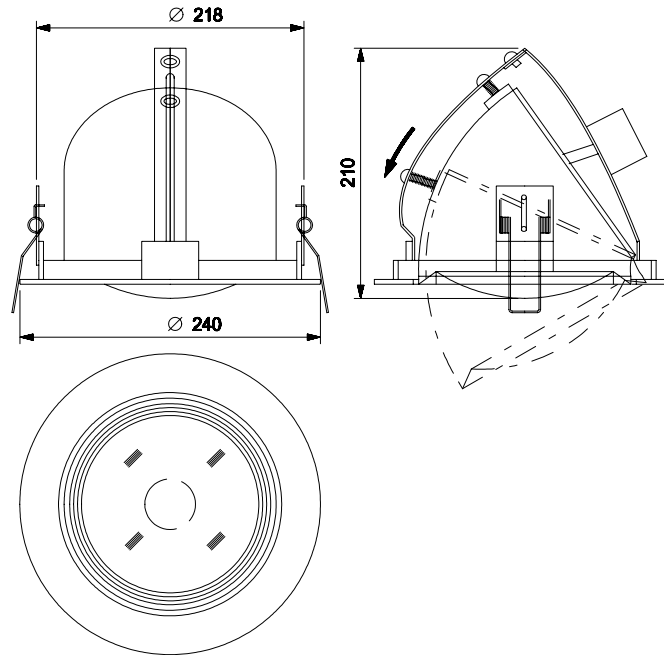




DECORATIVE LIGHTING
DOWN LIGHTER

BLDR 70/150 MH CS G12

Recess, decorative, downlighter for single ended metal halide lamp



NOMINAL DIMENSIONS IN mm Tolerance +/-5

Application

- Commercial complexes, Conference halls
- Control rooms, Hotels and restaurants, Shops and show windows, etc

Specification

- Suitable for 70/150W MH G12 lamp
- Epoxy white powder coated die cast aluminium housing
- Bright anodised aluminium reflector
- Reflector covered in the front with heat resistant, toughened, clear glass held in epoxy white powder coated die cast aluminium frame and fitted to the housing
- Epoxy white powder coated die cast aluminium ring
- Reflector assembly swivels out for directing light from 0 to 60°
- Provision for mounting with the help of specially designed mounting clips/springs, for ease of installation and maintenance
- MH G12 lamp holder, prewired upto the terminal block which is provided with cover for additional safety

A separate control gear capsule (Developed for indoor use only) for 70/150W MH G12 lamp is required.

Electrical Data

Cat. Ref.	Lamp Type & Wattage (W)	Nominal Voltage (V)	Mains Current in Amps. at 240 V	Capacitor Mfd	Power Factor
BLDR 70 MH CS G12	MH 70 G12	220/240	1.0	10	0.85
BLDR 150 MH CS G12	MH 150 G12	220/240	1.80	20	0.85

Data subject to variation due to change/improvement in the design, materials and processes.

<p>BAJAJ LUMINAIRES Making the difference</p>	DRAWN	VDS	15-03-2004	FOR –
	CHECKED	DVRS		REV - 0 DATE-05-06-2009
	APPROVED	CRR		DRG.No
	DATA SHEET RELEASED ON DT-			DR 70/150 MH CS G12- 001
BAJAJ ELECTRICALS LIMITED 15/17, SANT SAVTA MARG, REAY ROAD, MUMBAI-400 010.				* E-mail : luminaires@bajajelectricals.com