

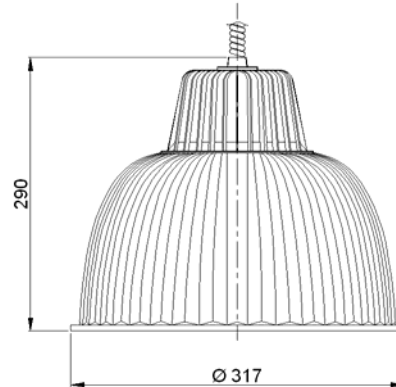


## RETAIL LIGHTING

BLRI 118/126/142/218/226/242 CFL WEB / 65 RF CFL BC/ES

BLRI 70/150 MH NI

Suspendent Type Decorative Highbay Luminaire with polycarbonate Reflector



NOMINAL DIMENSIONS IN mm Tolerance +/-5

## Application

- Commercial malls,
- Atrium,
- Warehouses, etc.

## Specification / Features

- Decorative Integral housing.
- Fluted polycarbonate refractor, option of refractor cover is also available.
- Aesthetically appealing to suit any interior.
- Plastic cap in silver colour. Option of wood finish is also available.
- Suitable for single 18/26/42W CFL, 70/150W MH lamp and twin 18/26/42W CFL lamp.
- Lamp holder prewired upto terminal block.
- Spiral power cable is provided for luminaire suspension.
- Ease of maintenance.
- Wired with electronic ballast in CFL lamp version

## Electrical Data

Cat. Ref.	Lamp Type & Wattage (W)	Nominal Voltage (V)	Mains Current in Amps. At 240 V	Power Factor
BLRI 118 CFL WEB	1 x CFL 18W	240	0.079	≥ 0.95
BLRI 126 CFL WEB	1 x CFL 26W	240	0.118	≥ 0.95
BLRI 142 CFL WEB	1 x CFL 42W	240	0.21	≥ 0.95
BLRI 218 CFL WEB	2 x CFL 18W	240	0.158	≥ 0.95
BLRI 226 CFL WEB	2 x CFL 26W	240	0.228	≥ 0.95
BLRI 242 CFL WEB	2 x CFL 42W	240	0.368	≥ 0.95
BLRI 70 MH NI	1 x MH 70W	240	0.40	≥ 0.85
BLRI 150 MH NI E27	1 x MH 150W	240	0.80	≥ 0.85
BLRI 65 RF CFL BC	1 x Retrofit CFL 65W	240	0.25	--
BLRI 65 RF CFL ES	1 x Retrofit CFL 65W	240	0.25	--

Data subject to variation due to change/improvement in the design, materials and processes.

 <b>BAJAJ LUMINAIRES</b> <i>Making the difference</i>	DRAWN	KPM	26-08-2008	FOR - STD.
	CHECKED	KS		REV - 0 DATE-26-08-2008
	APPROVED	CRR		DRG.No
	DATA SHEET RELEASED ON DT-			<b>BLRI 218/226 CFL ACR- 001</b>
<b>BAJAJ ELECTRICALS LIMITED</b> 15/17, SANT SAVTA MARG, REAY ROAD, MUMBAI-400 010.				* E-mail : <a href="mailto:luminaires@bajajelectricals.com">luminaires@bajajelectricals.com</a>