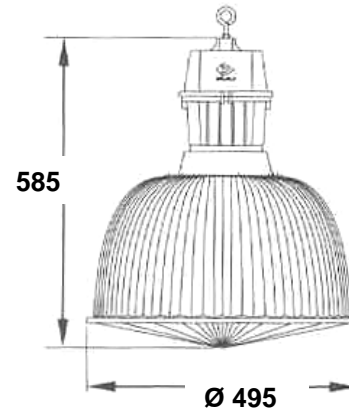




## COMMERCIAL/DECORATIVE LIGHTING

Highbay, integral luminaire

BLRI 250/400 MMH ACR



NOMINAL DIMENSIONS IN mm Tolerance +/-5

## Application

- Commercial malls,
- Airport Hangers,
- Atrium,
- Warehouses, etc.

## Specification

- Integral decorative cast aluminium blue & off white powder coated housing with heat dissipating fins.
- Polycarbonate refractor with prismatic cover.
- Prismatic cover in polycarbonate.
- S.S. Rim with spring for cover.
- Eye bolt suspension.
- Ease of maintenance.
- Aesthetically appealing to suit any interior.
- Degree of protection : IP 55 C.G.Housing

Note: The luminaire is suitable for Bajaj/Venture tubular lamp or equivalent lamp.  
Only MV based lamp gear is provided as per requirement.

## Electrical Data

Cat. Ref.	Lamp Type & Wattage (W)	Nominal Voltage (V)	Mains Current in Amps. at 240 V	Capacitor Mfd.	Power Factor
BLRI 250 MMH ACR	MMH 250	200/220/240	1.30	15	≥ 0.85
BLRI 400 MMH ACR	MMH 400	200/220/240	2.10	30	≥ 0.85

Data subject to variation due to change/improvement in the design, materials and processes.

<p><b>BAJAJ LUMINAIRES</b> Making the difference</p>	DRAWN	KPM	20-05-2008	FOR – STD.
	CHECKED	KS		REV - 0 DATE-20-05-2008
	APPROVED	CRR		DRG.No
	DATA SHEET RELEASED ON DT-			<b>LRI 250/400 MMH ACR - 001</b>
<b>BAJAJ ELECTRICALS LIMITED</b> 15/17, SANT SAVTA MARG, REAY ROAD, MUMBAI-400 010.				* E-mail : <a href="mailto:luminaires@bajajelectricals.com">luminaires@bajajelectricals.com</a>