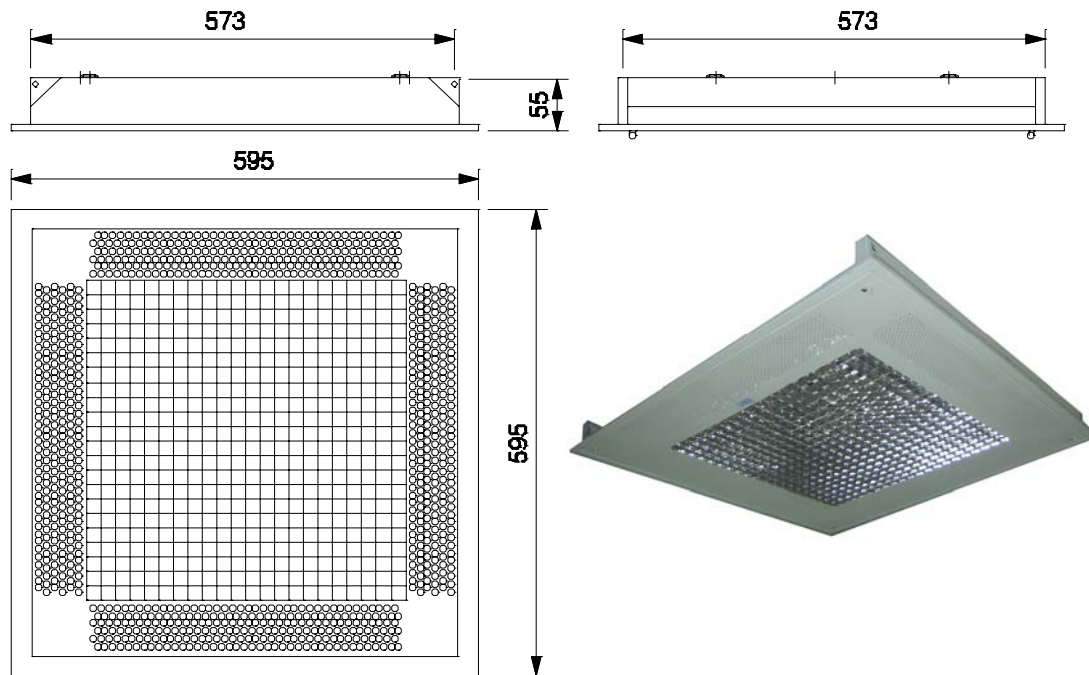




LEGEND

BAJAJ BMLA 01 414 LHD



NOMINAL DIMENSIONS IN mm Tolerance +/-5

Application

Recess mounting luminaire suitable for interior illumination of commercial complexes, showrooms, airport lounges, computer centers, banks, hospitals, conference halls, design offices, control rooms, laboratories, etc.

Specification

- CRCA sheet steel housing in which all accessories along with <10% THD HF electronic ballast are mounted and wiring is terminated on to a terminal block.
- It is covered with 3/4" x 3/4" **SQUARE PARABOLIC** metallised louver to provided glare free light.
- Computerized design high efficiency aluminium reflector to enhance the light distribution.
- The louver block is held in frame with toggles and it can be hinged for easy in relamping and maintenance.

Finish : Housing - White powder coated.

Electrical Data

Product Code	Cat. Ref.	Lamp Type & Wattage (W)	Nominal Voltage (V)	Mains Current in Amps. at 240 V	Power Factor
530930	BMLA 01 414 LHD	4 x T5 14W	240	0.265	≥ 0.99

Data subject to variation due to change/improvement in the design, materials and processes.

<p>BAJAJ LUMINAIRES Making the difference</p>	DRAWN	KPM	18-11-2008	FOR - STD
	CHECKED	DVRS		REV - 0 DATE-18-11-2008
	APPROVED	CRR		DRG.No
	DATA SHEET RELEASED ON DT-			MLA 01 414 LHD - 001