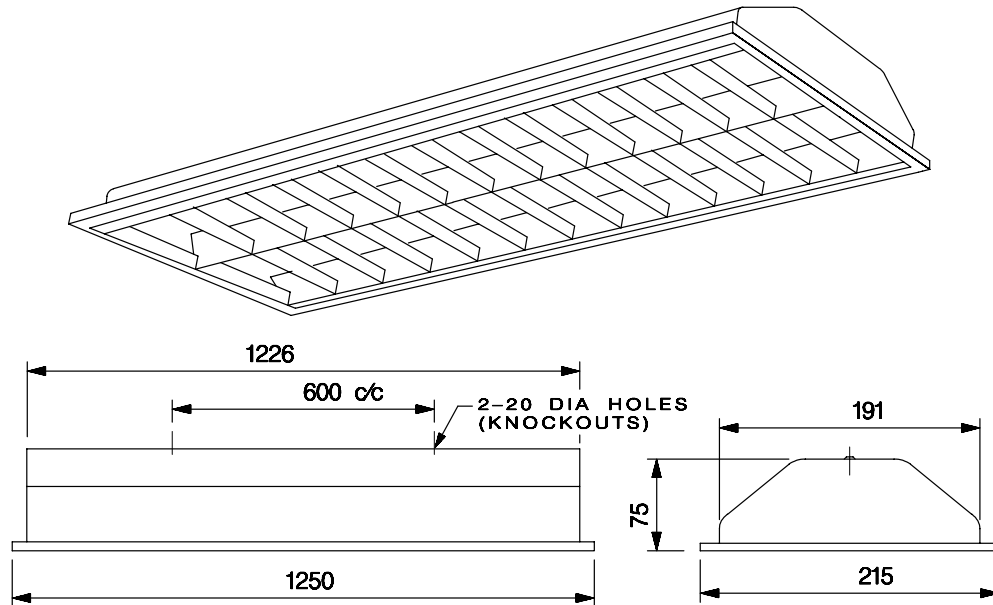




## COMMERCIAL DECORATIVE LIGHTING

## BMMR 236/240 DL LHD

Recess mounting twin fluorescent lamp darklighter luminaire



Dimensions in mm Tolerance +/-5

## Applications

- Banks & offices
- Educational institutions
- Libraries
- Concourse halls, etc.

## Specification

- Epoxy white powder coated CRCA sheet steel housing.
- High quality pre-anodised aluminium double parabolic mirror reflector and louver assembly.
- Louver fixing arrangement is push fit mechanism and suspended by two nylon strings for easy maintenance.
- Accessories for twin 36/40 fluorescent lamp(s), prewired upto terminal block.
- Wired with <10% THD HF electronic ballast.

## Electrical Data

Cat. Ref.	Lamp Type & Wattage (W)	Nominal Voltage (V)	Mains Current in Amps. at 240 V	Power Factor
BMMR 236/240 DL LHD	FTL 2x36/40	240	0.303	≥ 0.99

Data subject to variation due to change/improvement in the design, materials and processes.

 <b>BAJAJ LUMINAIRES</b> <i>Making the difference</i>	DRAWN	VDS	03-11-2006	FOR - STD.
	CHECKED	DVRS		REV - 1      DATE-25-01-2008
	APPROVED	CRR		DRG.No
	DATA SHEET RELEASED ON DT-			<b>MMR 240 DL LHD- 001</b>
<b>BAJAJ ELECTRICALS LIMITED</b> 15/17, SANT SAVTA MARG, REAY ROAD, MUMBAI-400 010.				* E-mail : <a href="mailto:luminaires@bajajelectricals.com">luminaires@bajajelectricals.com</a>