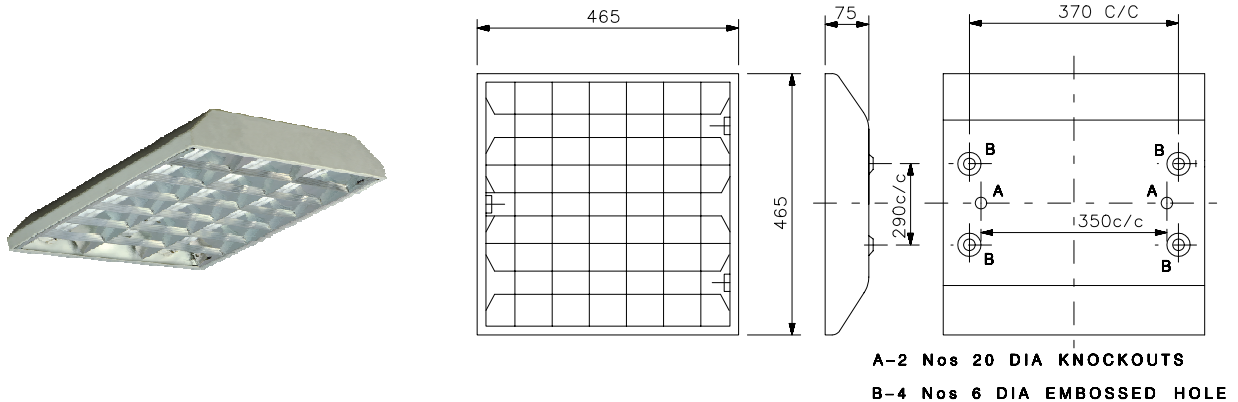




COMMERCIAL DECORATIVE LIGHTING

BMMS 336 CFL  
BMMS 336 CFL W2EB

Surface mounting triple compact fluorescent lamp mirror optic luminaire



Dimensions in mm Tolerance +/-5

Applications

- Banks & offices
- Educational institutions
- Libraries
- Concourse halls,, etc.

Specification

- Epoxy white powder coated CRCA sheet steel housing
- High quality pre-anodised aluminium parabolic reflector and serrated matt anodised aluminium extruded baffles
- Louver fixing arrangement is push fit mechanism and suspended by two nylon strings for easy maintenance
- Accessories for triple 36 CFL lamp(s), prewired upto terminal block
- Wired with open construction / electronic ballast, suitable for 1x36W & 2x36W CFL lamps.

Electrical Data

Cat. Ref.	Lamp Type & Wattage (W)	Nominal Voltage (V)	Mains Current in Amps. at 240 V	Capacitor Mfd.	Power Factor
BMMS 336 CFL	3xCFL 'L' 36/4P	240	0.63	8 + 4	≥ 0.90
BMMS 336 CFL W2EB	3xCFL 'L' 36/4P	240	0.311 & 0.156	--	≥ 0.95

Data subject to variation due to change/improvement in the design, materials and processes.

<p><b>BAJAJ LUMINAIRES</b> Making the difference</p>	DRAWN	VDS	31-05-2007	FOR - STD.
	CHECKED	DVRS		REV - 1 DATE-25-01-2008
	APPROVED	CRR		DRG.No
	DATA SHEET RELEASED ON DT-			<b>MMS 336 CFL W2EB - 001</b>
<b>BAJAJ ELECTRICALS LIMITED</b> 15/17, SANT SAVTA MARG, REAY ROAD, MUMBAI-400 010.				* E-mail : <a href="mailto:luminaires@bajajelectricals.com">luminaires@bajajelectricals.com</a>