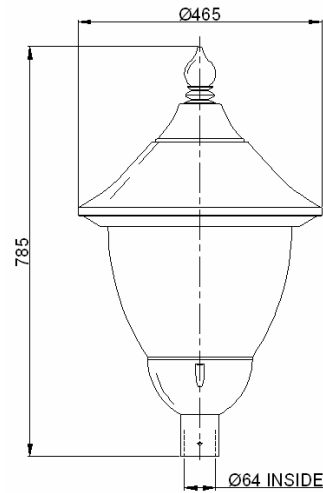




"NEO" SERIES - CELESTA

BNCL 70 SV/MH C/O

BNCL 150 SV/MH C/O



Dimensions in mm Tolerance +/-5

Applications

- Parks and gardens
- Entrance gates
- Pathways
- Residential colonies
- Security lighting, etc

Features

- Fully weather proof
- New generation accessories
- Easy to install and maintain
- Degree of protection: IP 55

Specification

- Spun aluminium copper dust finished canopy.
- Only incase of CLEAR version aluminium baffles are provided around the lamp to eliminate glare.
- Polycarbonate vizier housing
- Suitable for 60mm OD pipe entry with fixing bolts.
- E27 lamp holder for 70W SV/MH lamp & E40 lamp holder for 150W SV/MH lamp prewired upto the terminal block.
- Cast aluminium spigot, housing all the accessories, option of opal diffuser is also available.

Electrical Data

Product Code	Cat. Ref.	Lamp Type & Wattage (W)	Nominal Voltage (V)	Mains Current In Amps. At 240 V	Capacitor Mfd.	Power Factor
110300	BNCL 70 SV C	HPSV T 70	220/240	0.40	10	≥ 0.85
110296	BNCL 70 MH C	MH T 70	220/240	0.40	10	≥ 0.85
110301	BNCL 70 SV O	HPSV T 70	220/240	0.40	10	≥ 0.85
110297	BNCL 70 MH O	MH T 70	220/240	0.40	10	≥ 0.85
110303	BNCL 150 SV C	HPSV T 150	220/240	0.80	20	≥ 0.85
110302	BNCL 150 MH C	MH T 150	220/240	0.80	20	≥ 0.85
110305	BNCL 150 SV O	HPSV T 150	220/240	0.80	20	≥ 0.85
110304	BNCL 150 MH O	MH T 150	220/240	0.80	20	≥ 0.85

Data subject to variation due to change/improvement in the design, materials and processes.

 BAJAJ LUMINAIRE <i>Making the difference</i>	DRAWN	VDS	19-10-2007	FOR -
	CHECKED	KS		REV - 0 DATE-04-12-2008
	APPROVED	CRR		DRG. No
	DATA SHEET RELEASED ON DT-			BNCL 70/150 C/O -001