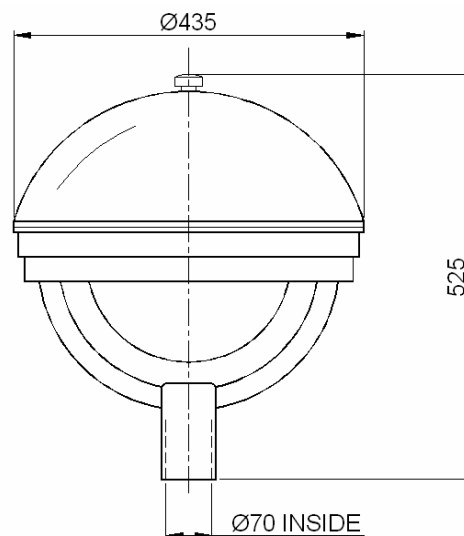




"NEO" SERIES - ORBIT

BAJAJ BNOB 218/226 O



Dimensions in mm Tolerance +/-5

Applications

- Parks and gardens
- Entrance gates
- Pathways
- Residential colonies
- Security lighting, etc

Features

- Fully weather proof
- New generation accessories
- Easy to install and maintain
- Degree of protection: IP 54

Specification

- White opal acrylic diffuser canopy & opal bowl provides upward and downward light.
- "Y" shape pipe arrangement for vertical mounting.
- G24d-2 for 18/26W lamp holder, prewired upto the terminal block.
- Suitable for 60mm OD pipe entry with fixing bolts.

Electrical Data

| Product Code | Cat. Ref. | Lamp Type & Wattage (W) | Nominal Voltage (V) | Mains Current In Amps. At 240 V |
|--------------|------------|-------------------------|---------------------|---------------------------------|
| 110202 | BNOB 218 O | 2x18 CFL | 240 | 0.44 |
| 110203 | BNOB 226 O | 2x26 CFL | 240 | 0.65 |

Data subject to variation due to change/improvement in the design, materials and processes.

| | | | | |
|---|----------------------------|-----|------------|---|
| <p>BAJAJ LUMINAIRE Making the difference</p> | DRAWN | VDS | 08-10-2007 | FOR – |
| | CHECKED | KS | | REV - 0 DATE-04-12-2008 |
| | APPROVED | CRR | | DRG. No |
| | DATA SHEET RELEASED ON DT- | | | BNOB 218/226 O - 001 |
| BAJAJ ELECTRICALS LIMITED 15/17, SANT SAVTA MARG, REAY ROAD, MUMBAI-400 010. | | | | * E-mail : luminaires@bajajelectricals.com |