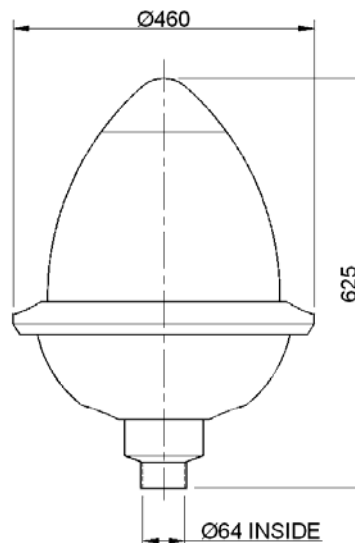




"NEO" SERIES - SHUTTLE

BAJAJ BNST 70 SV/MH O



Dimensions in mm Tolerance +/-5

Applications

- Parks and gardens
- Entrance gates
- Pathways
- Residential colonies
- Security lighting, etc

Features

- Fully weather proof
- New generation accessories
- Easy to install and maintain
- Degree of protection: IP 55

Specification

- Copper dust finished die-cast aluminium alloy pole mounting spigot, Aluminium canopy housing all the accessories
- Opal polycarbonate vizard housing
- E27 lamp holder for 70W SV/MH lamp, prewired upto the terminal block.
- Suitable for 60mm OD pipe entry with fixing bolts.

Electrical Data

Product Code	Cat. Ref.	Lamp Type & Wattage (W)	Nominal Voltage (V)	Mains Current In Amps. At 240 V	Capacitor Mfd.	Power Factor
110327	BNST 70 SV O	HPSV 70	220/240	0.40	10	≥ 0.85
110328	BNST 70 MH O	MH 70	220/240	0.40	10	≥ 0.85

Data subject to variation due to change/improvement in the design, materials and processes.

	DRAWN	VDS	28-04-2008	FOR -
	CHECKED	KS		REV - 0 DATE-28-04-2008
	APPROVED	CRR		DRG. No
	DATA SHEET RELEASED ON DT-23 Sept-08			BNST 70 SV/MH O - 001
BAJAJ ELECTRICALS LIMITED 15/17, SANT SAVTA MARG, REAY ROAD, MUMBAI-400 010.				* E-mail : luminaires@bajajelectricals.com