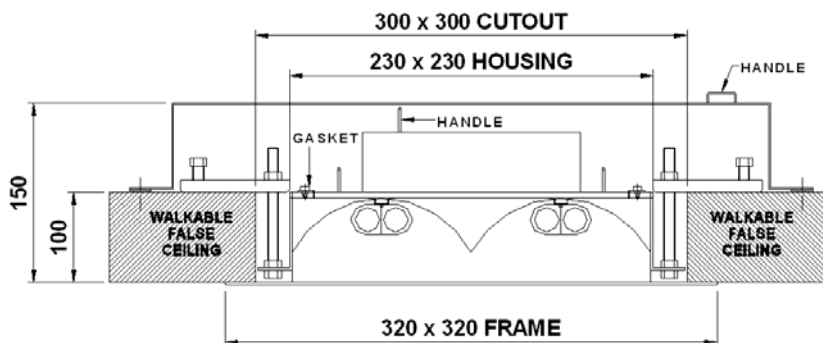
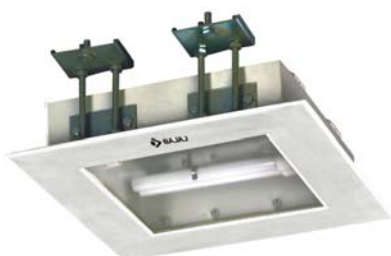




INDUSTRIAL LIGHTING
PLASMA
BPRR 218 C LHD

Recess mounting REAR OPENING clean room luminaire suitable for twin 18W CFL



Dimensions in mm Tolerance +/-5mm

Applications

- Clean room areas in pharmaceutical industries

Specification

- Epoxy white powder coated CRCA sheet steel housing
- High quality pre-anodised aluminium reflector
- Control gear and new generation accessories with < 10 % THD HF electronic ballast mounted on removable gear tray and pre-wired upto terminal block
- Acrylic cover is sealed with bottom frame & specially developed non-hygroscopic gasket to ensure foolproof dust/ particle protection
- Maintenance from rear side
- Re-lamping through hingeable rear cover
- Hardware S.S
- Environment Protection:- IP65 (from front side)

Electrical Data

Product Code	Cat. Ref.	Lamp Type & Wattage (W)	Nominal Voltage (V)	Mains Current in Amps. at 240 V	Power Factor
530877	BPRR 218 C LHD	2 x CFL 18	240	0.152	≥ 0.99

Data subject to variation due to change/improvement in the design, materials and processes.

<p>BAJAJ LUMINAIRES <i>Making the difference</i></p>	DRAWN	VDS	07-07-2007	FOR – STD.
	CHECKED	DVRS		REV - 1 DATE-02-05-2009
	APPROVED	CRR		DRG. No
	DATA SHEET RELEASED ON DT-			BPRR 218 C LHD-001
BAJAJ ELECTRICALS LIMITED 15/17, SANT SAVTA MARG, REAY ROAD, MUMBAI-400 010.				* E-mail : luminaires@bajajelectricals.com