

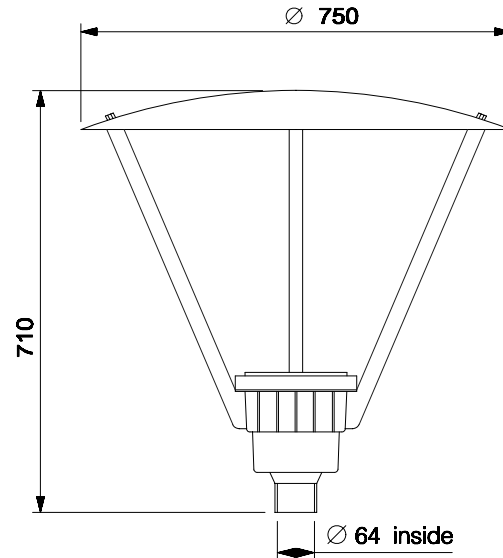


RENAISSANCE

BRIL 01 70 MH DE

BRIL 01 150 MH DE

INDIRECT LIGHT Integral post top lanterns suitable for 70/150W MH DE Lamp



Dimensions in mm Tolerance +/-5

Applications

- Beaches
- Pathways
- Resorts & Hotels
- Gardens, etc

Features

- Fully vermin and weather proof
- New generation accessories
- Easy to install and maintain
- Degree of protection : IP 55
- Electrical safety – Class I

Specification

- Integral white painted cast aluminium spigot, lamp housing with toughened glass.
- White painted aluminium reflector fixed on tripod directing the light downwards.
- Pair of RX 7s MH DE 70W lamp, Pair of RX 7s-24 MH DE 150W lamp holder prewired upto the terminal block.
- Mounting suitable for 50 to 60 mm OD pipe.

Electrical Data

Cat. Ref.	Lamp Type & Wattage (W)	Nominal Voltage (V)	Mains Current In Amps. At 240 V	Capacitor Mfd	Power Factor
BRIL 01 70 MH DE	MH DE 70	220/240	0.40	10	≥ 0.85
BRIL 01 150 MH DE	MH DE 150	220/240	0.80	20	≥ 0.85

Data subject to variation due to change/improvement in the design, materials and processes.

 BAJAJ LUMINAIRES <i>Making the difference</i>	DRAWN	VDS	16-06-2008	FOR – Std.
	CHECKED	KS		REV - 0 DATE-16-06-2008
	APPROVED	CRR		DRG. No
	DATA SHEET RELEASED ON DT-			RIL 01 70/150 MH DE-001
BAJAJ ELECTRICALS LIMITED 15/17, SANT SAVTA MARG, REAY ROAD, MUMBAI-400 010.				* E-mail : luminaires@bajajelectricals.com