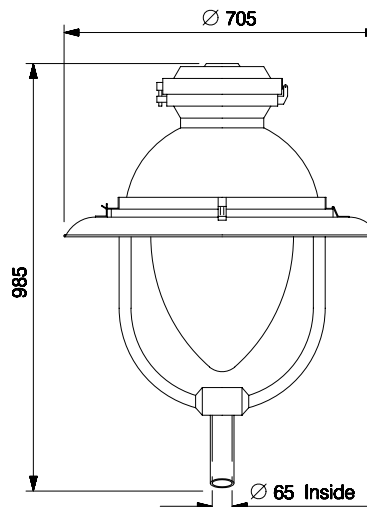




RENAISSANCE
ROADWAY LIGHTING
 BRPRL 70/150/250/400 SV/MH (MARIGOLD)

Integral decorative roadway furniture with clear polycarbonate for SV/MH Lamp



Dimensions in mm Tolerance +/-5

Applications

- Parks and gardens
- Pathways
- Landscape lighting
- Pedestrian crossing, etc.

Features

- Fully vermin and weatherproof
- Easy to install and maintain
- Degree of protection : IP 66 Lamp housing
- Degree of protection : IP 55 CG housing
- Electrical safety – Class I

Specifications

- Black painted cast aluminium C.G.housing
- Black painted deep drawn aluminium housing for lamp & reflector assembly
- Black painted deep drawn aluminium reflector with UV stabilised clear polycarbonate cover is fixed to the housing from bottom with mounting arrangement for incoming pole of 50 to 60 mm O/D pipe
- Electrochemically brightened, computer aided designed pot optic aluminium reflector for tubular lamp
- Control gear for 70/150/250/400 SV/MH lamp, ES/GES lamp holder prewired upto the terminal block

Electrical Data

Cat. Ref.	Lamp Type & Wattage (W)	Nominal Voltage (V)	Mains Current In Amps. At 240 V	Capacitor Mfd	Power Factor
BRPRL 70 SV/MH (MARIGOLD)	HPSV/MH 70	220/240	0.40	10	≥ 0.85
BRPRL 150 SV/MH (MARIGOLD)	HPSV/MH 150	220/240	0.80	20	≥ 0.85
BRPRL 250 SV/MH (MARIGOLD)	HPSV/MH 250	220/240	1.30	30	≥ 0.85
BRPRL 400 SV/MH (MARIGOLD)	HPSV/MH 400	220/240	2.10	42	≥ 0.85

Data subject to variation due to change/improvement in the design, materials and processes.

<p>BAJAJ LUMINAIRE Making the difference</p>	DRAWN	VDS	30.04-2008	FOR – Std.
	CHECKED	KS		REV - 0 DATE-30.04-2008
	APPROVED	CRR		DRG. No
	DATA SHEET RELEASED ON DT-			BRPRL 400 SV(MARI)-001
BAJAJ ELECTRICALS LIMITED 15/17, SANT SAVTA MARG, REAY ROAD, MUMBAI-400 010.				* E-mail : luminaires@bajajelectricals.com