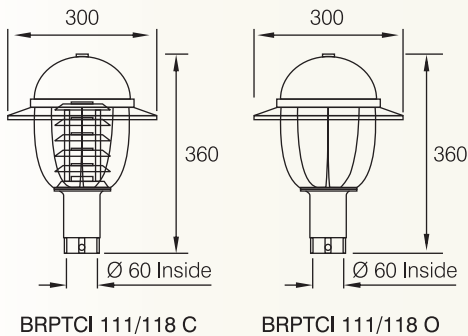




Urban Architecture Lighting

GREEN - Decorative Roadway Lighting Luminaire

BRPTCI 111/118 C/O



Renaissance - Post Top Lantern

Applications

Resorts & Townships, Pathways, City Centres, Gardens and Precincts.

Specification

Integral post top lantern comprises of Fedora shape black outside and white inside painted canopy, fedora hat shape clear/opal acrylic cover and a black ABS plastic spigot housing.

Single G 23 for 11W and G 24d-2 for 18W CFL lamp holder, open construction ballast are wired up to the terminal block.

Suitable for 50 mm OD pipe entry with fixing bolts.

Ingress protection : IP 54.

- Due to continuous efforts in developing products, improvement- Bajaj Electricals Limited reserves the right to make changes in the design and data and withdraw the luminaires without any prior notice.
- All product and installations are indicative.
- Technical information mention in this booklet is pre-released only.

Data subject to change due to improvement in the design, materials and processes. Variations in dimensions + 3mm

 **BAJAJ LUMINAIRE**
Making the difference

LUMINAIRE BUSINESS UNIT

15/17, Sant Savta Marg, Reay Road, Mumbai - 400 010.

Tel. : 23765000 Fax : 022-23730504

E-mail: luminaires@bajajelectricals.com

Website: www.bajajelectricals.com